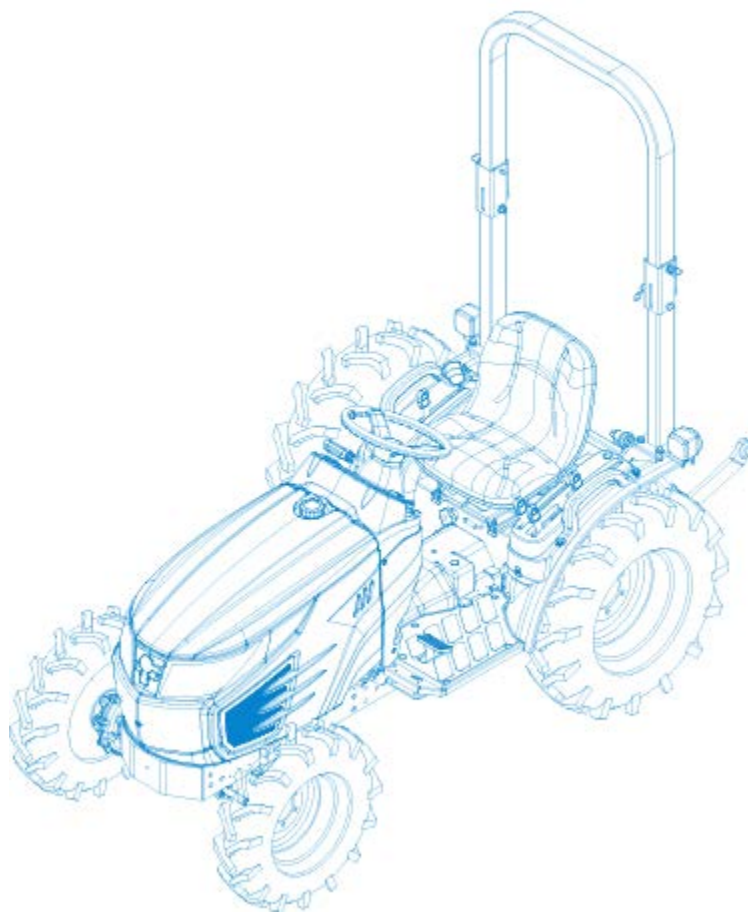


Parts Catalogue

RK24H



제 작 일	2017.
작 성	
검 토	
승 인	

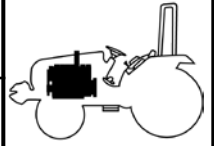
FIG 101

CYLINDER BLOCK

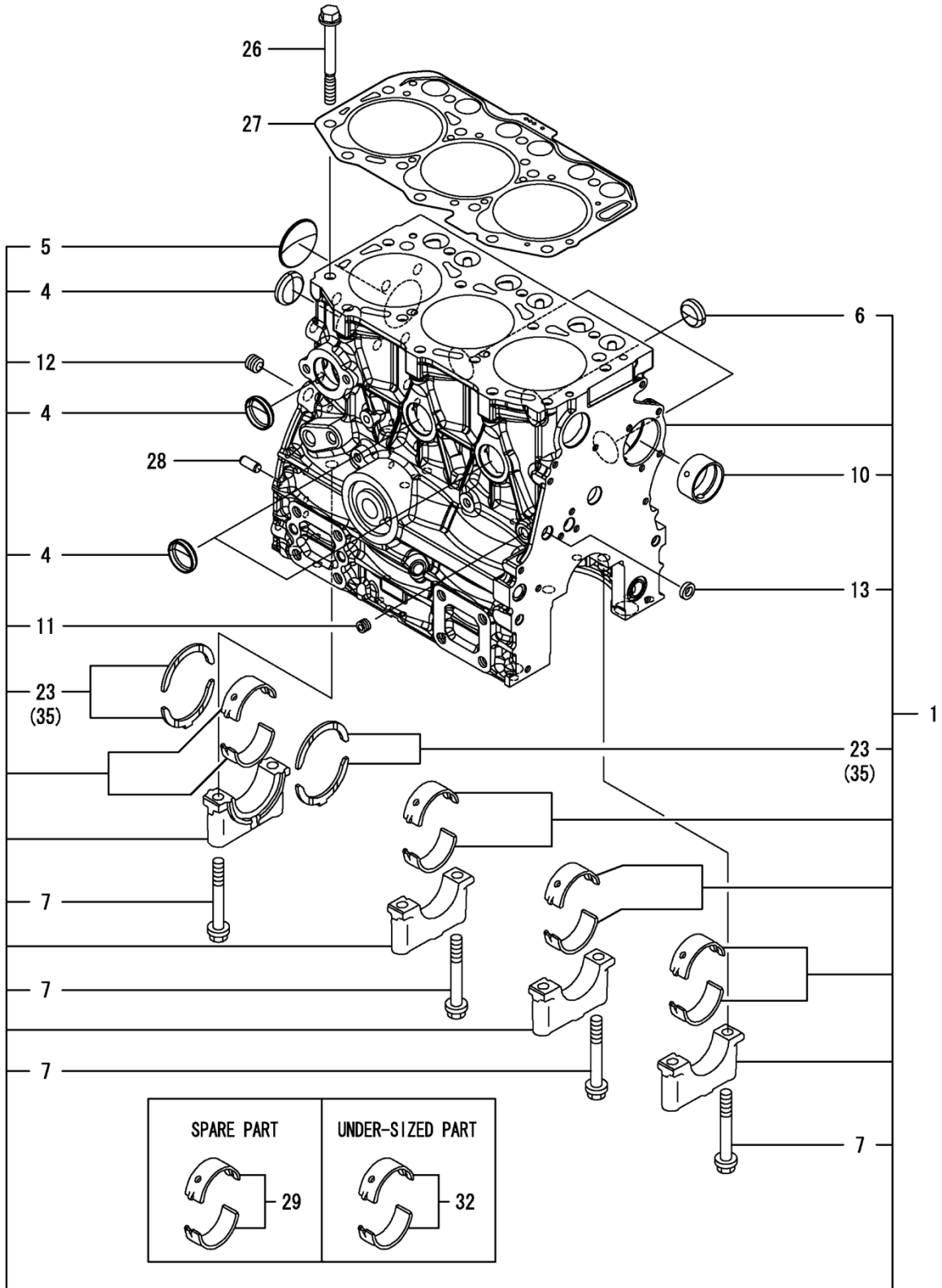
P1

YEAR

2017



RK24H



NOTE

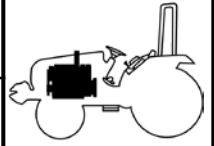
FIG 102

GEAR HOUSING

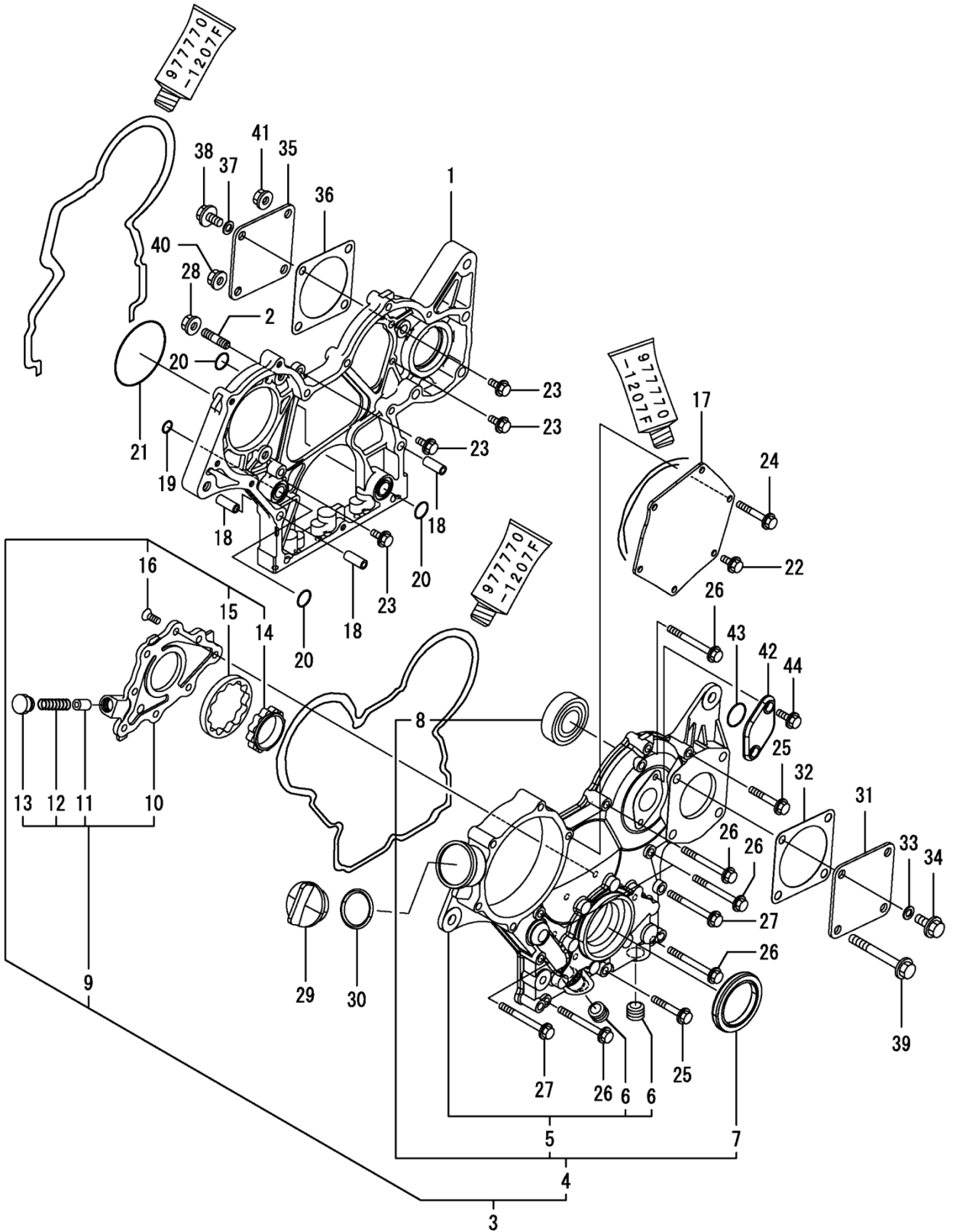
P1

YEAR

2017



RK24H



NOTE

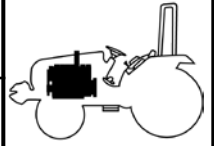
FIG 103

OIL SUMP

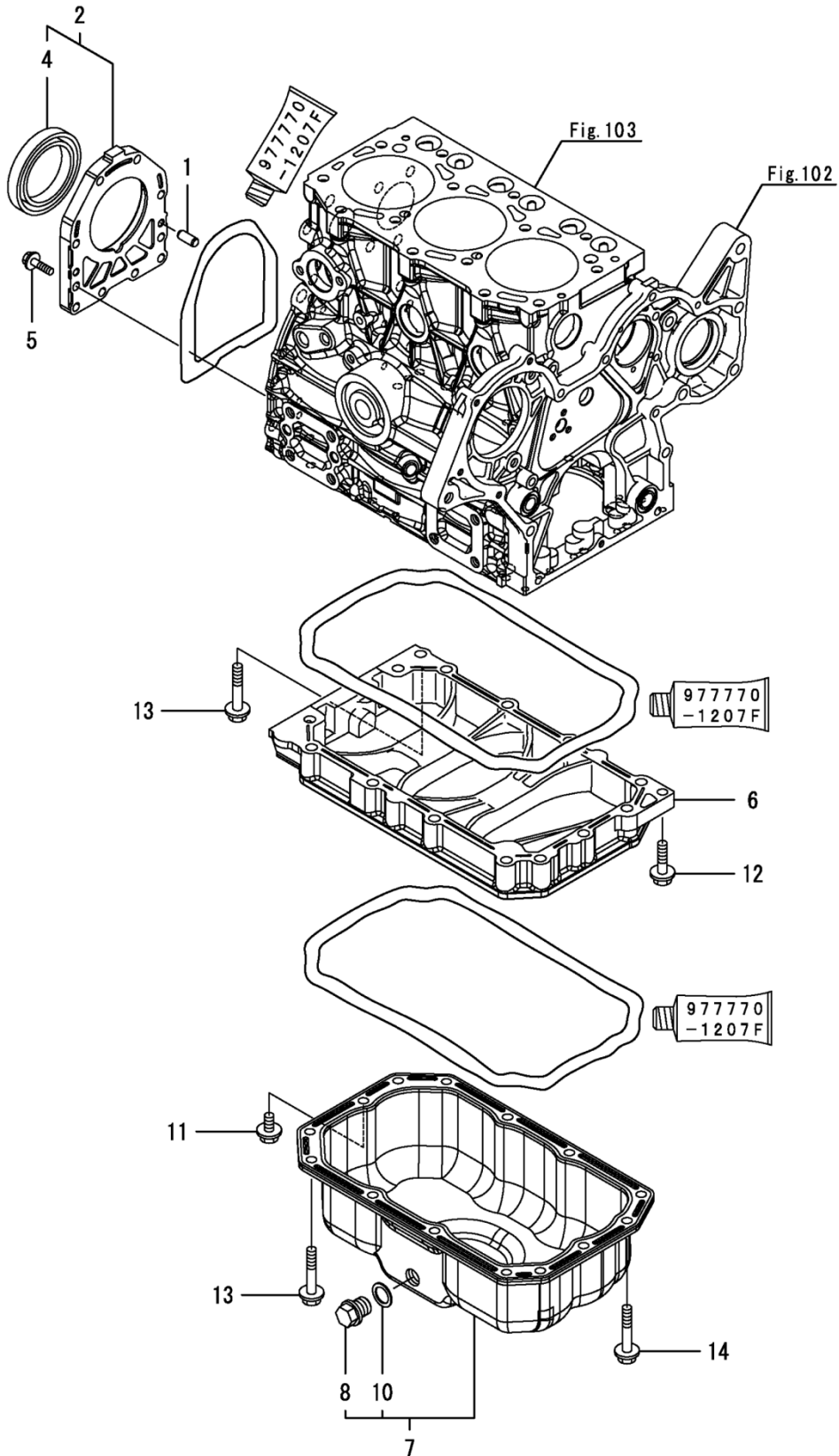
P1

YEAR

2017



RK24H



NOTE

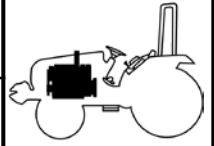
FIG 104

CYLINDER HEAD & BONNET

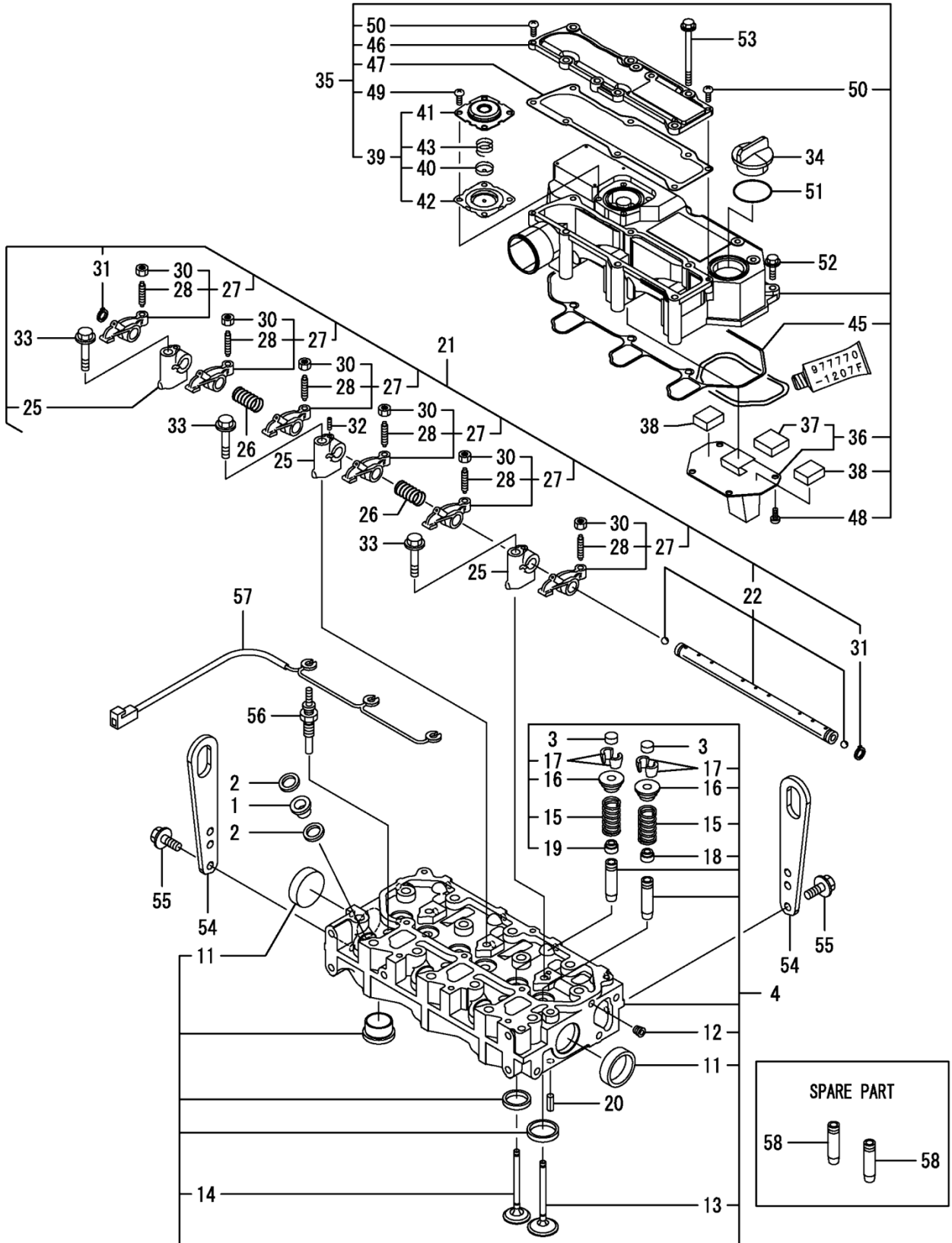
P1

YEAR

2017



RK24H



NOTE

FIG 104		CYLINDER HEAD & BONNET			P1	YEAR	
RK24H						2017	
KEY NO.	PART NO.	DESCRIPTION	SPEC.	QTY.	REPAIR	E/G SERIAL NO	REMARKS
104 001	129901-11450	PROTECTOR, NOZZLE		3			
104 002	119600-11460	GASKET, NOZZLE		6			
104 003	105010-11490	CAP, VALVE		6			
104 004	119E10-11750	HEAD ASSY, CYLINDER		1			
104 011	119285-11990	PLUG, 35		2			
104 012	23876-005000	PLUG, R005		1			
104 013	119E10-11100	VALVE, SUCTION		3			
104 014	119E10-11110	VALVE, EXHAUST		3			
104 015	119717-11131	SPRING, VALVE		6			
104 016	129508-11180	RETAINER, SPRING		6			
104 017	119717-11190	COTTER		12			
104 018	119717-11340	SEAL, VALVE STEM		3			
104 019	119717-11350	SEAL, VALVE STEM		3			
104 020	22351-060012	PIN, SPRING 6.0X12		2			
104 021	119717-11200	SUPPORT ASSY, ARM		1			
104 022	119717-11240	SHAFT ASSY, ROCKER		1			
104 025	119717-11260	SUPPORT, ROCKER ARM		3			
104 026	119620-11280	SPRING		2			
104 027	119717-11650	ARM, ROCKER		6			
104 028	129150-11230	SCREW, VALVE ADJUST		6			
104 030	129150-11750	NUT, M8		6			
104 031	22242-000120	RING, 12		2			
104 032	26979-050162	SCREW, M5X16		1			
104 033	26106-080402	BOLT, M8X 40 PLATED		3			
104 034	124160-01751	COVER, FILLER		1			
104 035	119717-11381	BONNET ASSY, HEAD		1			
104 036	119717-03031	PLATE		1			
104 037	119717-03070	BAFFLE, BREATHER		1			
104 038	119717-03070	BAFFLE, BREATHER		2			
104 039	119802-03100	DIAPHRAGM ASSY		1			
104 040	119802-03110	PLATE		1			
104 041	119802-03121	COVER, DIAPHRAGM		1			
104 042	119802-03131	DIAPHRAGM		1			
104 043	119802-03141	SPRING, DIAPHRAGM		1			
104 045	119718-11310	GASKET, BONNET		1			
104 046	119717-11320	COVER, BONNET		1			
104 047	119717-11331	GASKET		1			
104 048	22857-500100	SCREW, 5X10		4			
104 049	22857-500100	SCREW, 5X10		4			
104 050	22857-500160	SCREW, 5X16		2			
104 051	24311-000320	O-RING, 1AP32.0		1			
104 052	26106-060202	BOLT, M6X20 PLATED		3			
104 053	26106-060752	BOLT, M6X75 PLATED		6			
104 054	129900-07900	LIFTER		2			
104 055	26106-080162	BOLT, M8X16 PLATED		4			
104 056	119717-77801	PLUG, GLOW		3			
104 057	119717-77820	CONNECTOR, GLOW PLUG		1			
104 058	119717-11800	GUIDE, VALVE		6			
NOTE	(1) Spare parts.						

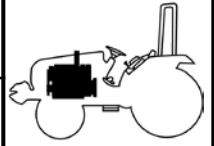
FIG 105

EXHAUST MANIFOLD

P1

YEAR

2017



RK24H

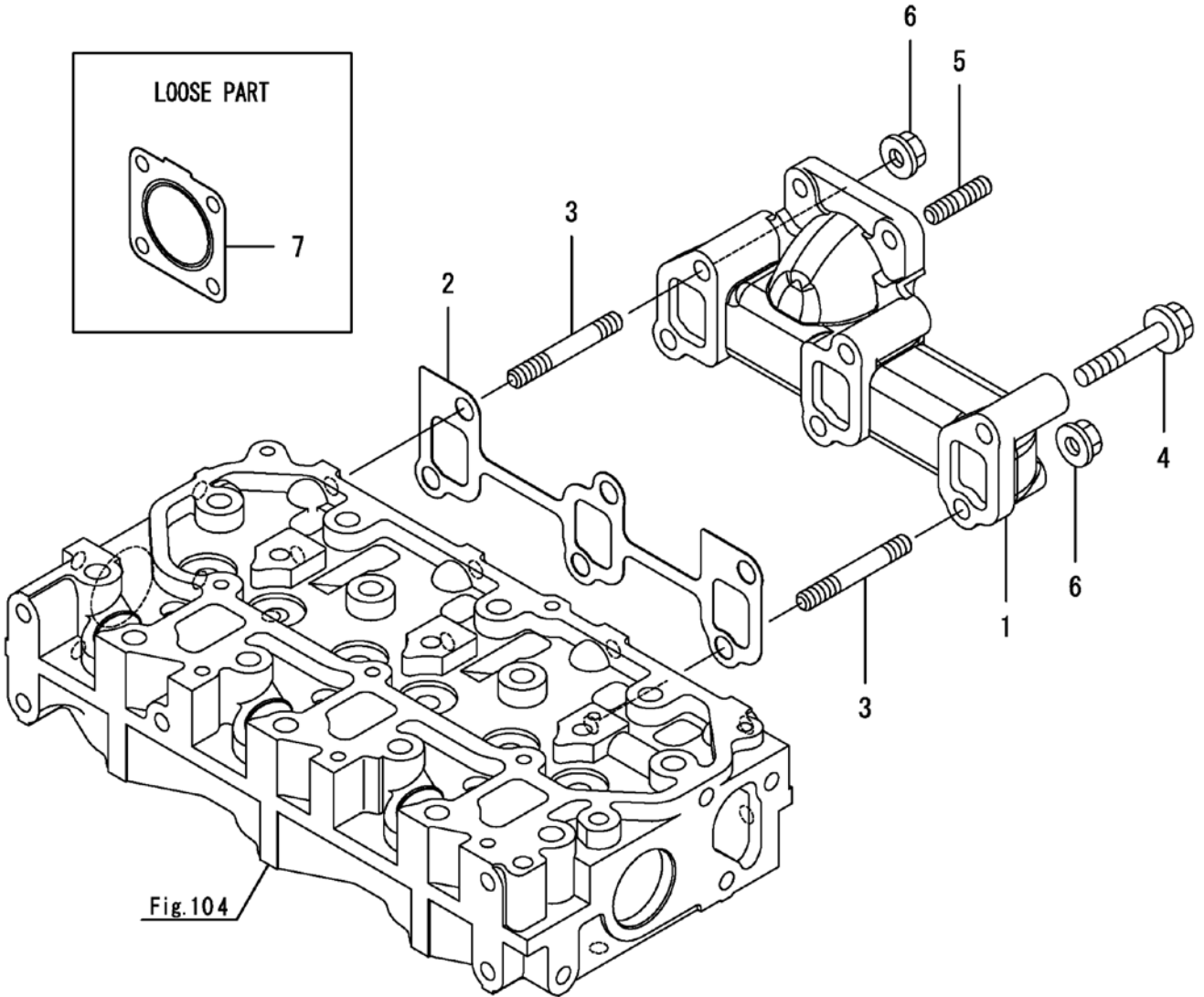
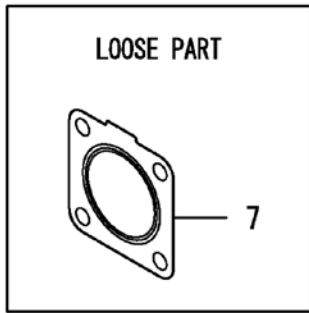


Fig. 104

NOTE

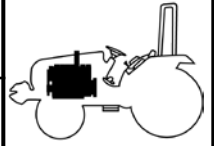
FIG 106

CAMSHAFT & DRIVING GEAR

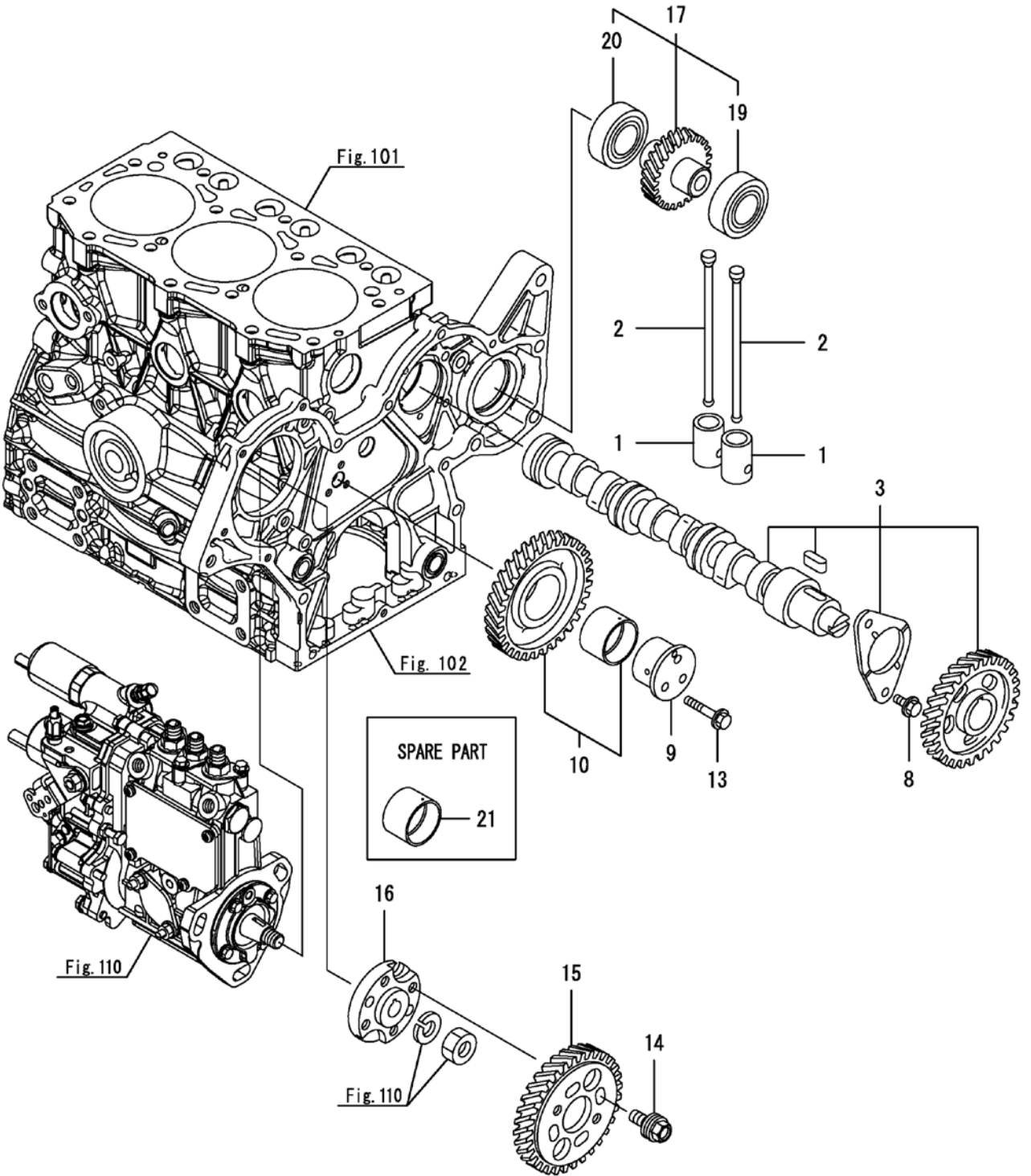
P1

YEAR

2017



RK24H



NOTE

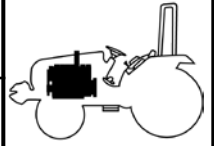
FIG 107

CRANKSHAFT & PISTON

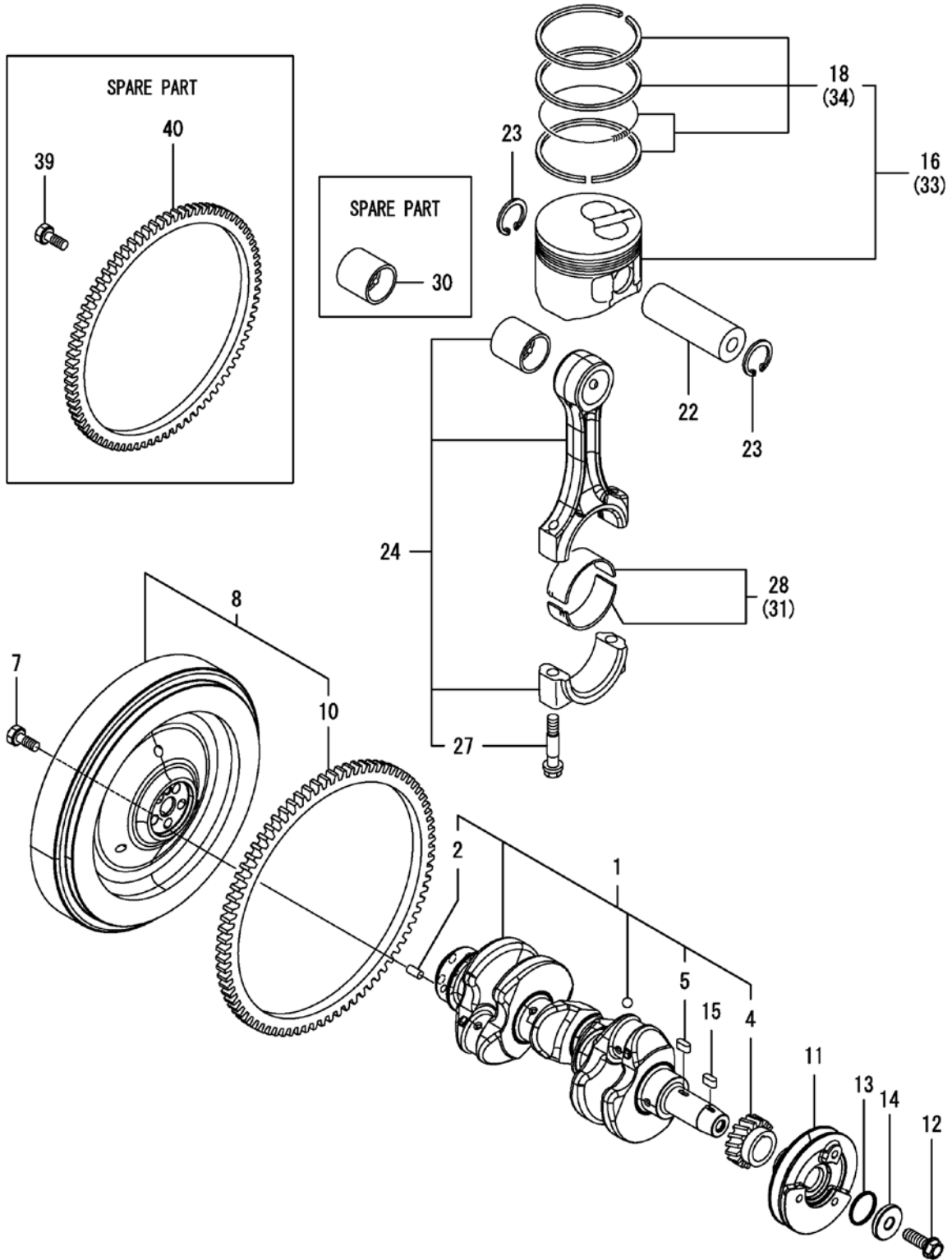
P1

YEAR

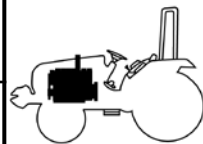
2017



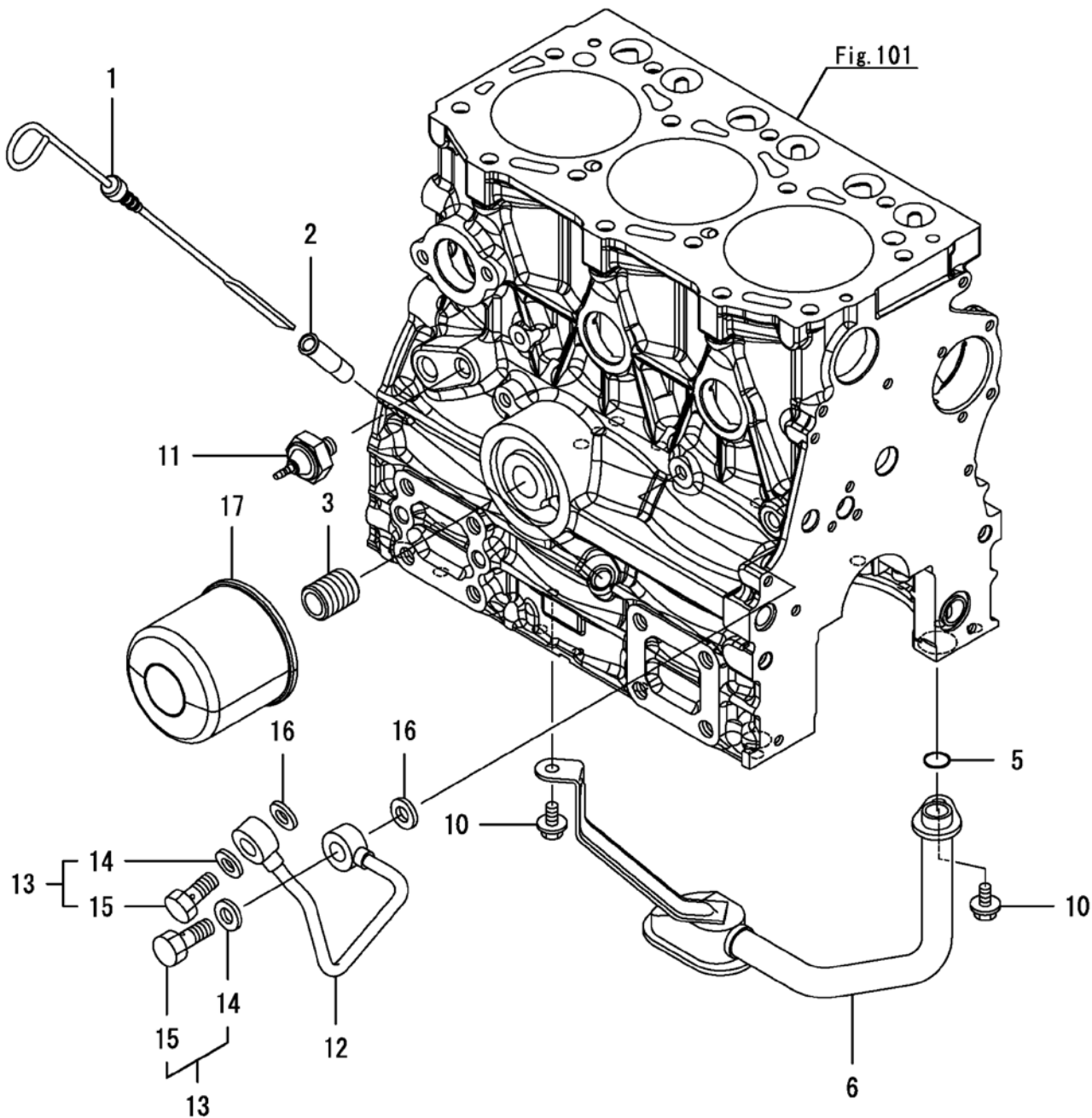
RK24H



NOTE



RK24H



NOTE

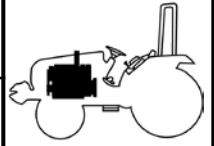
FIG 109

COOLING WATER SYSTEM

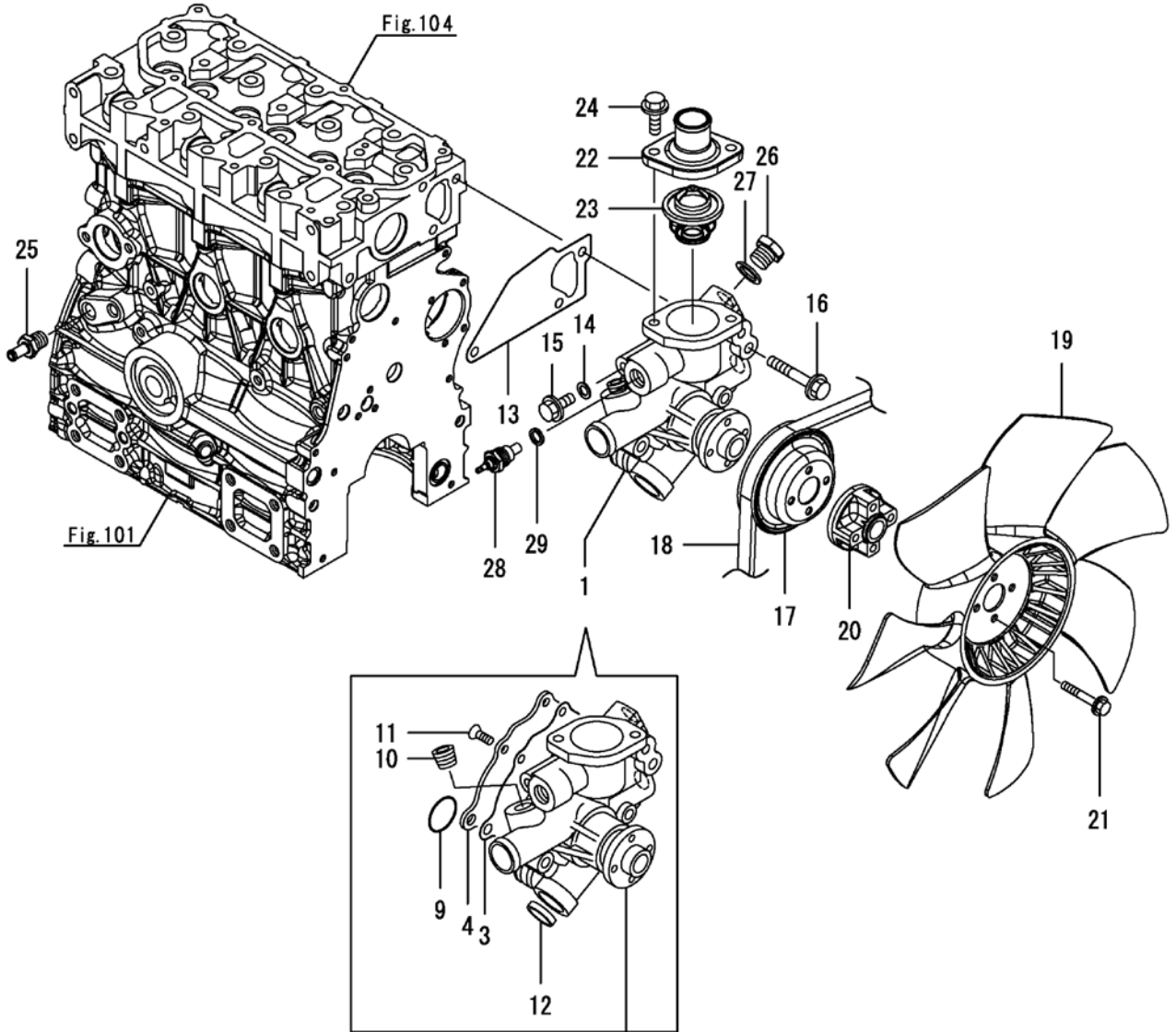
P1

YEAR

2017



RK24H



NOTE

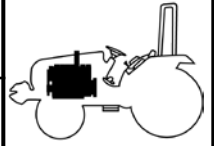
FIG 110

FUEL INJECTION PUMP

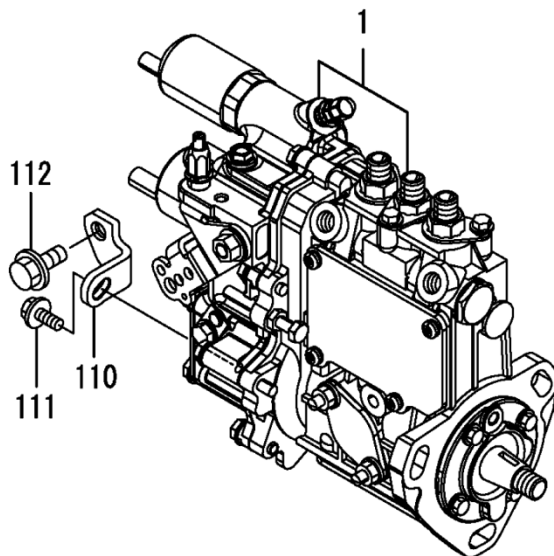
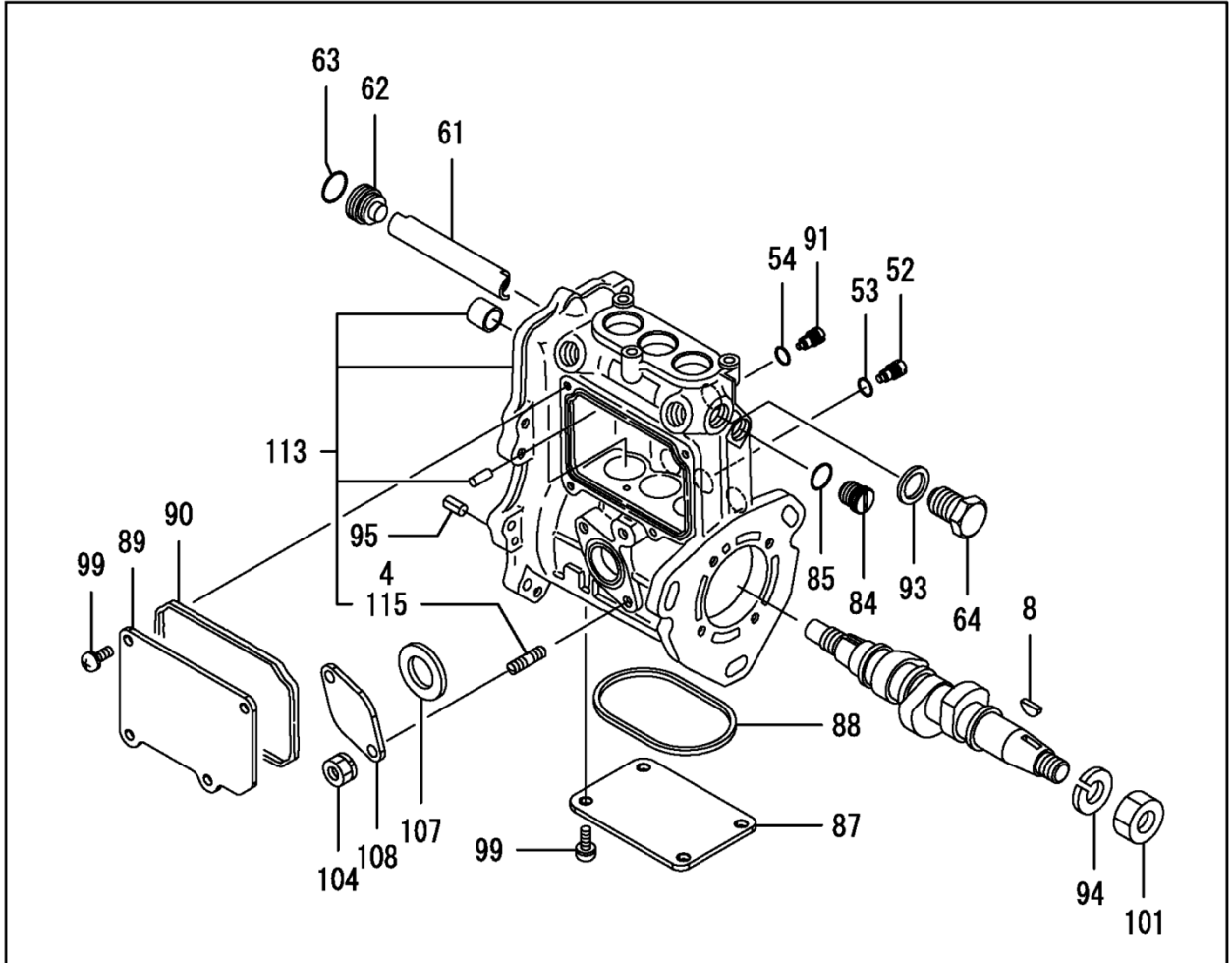
P1

YEAR

2017



RK24H



NOTE

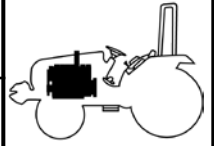
FIG 111

GOVERNOR

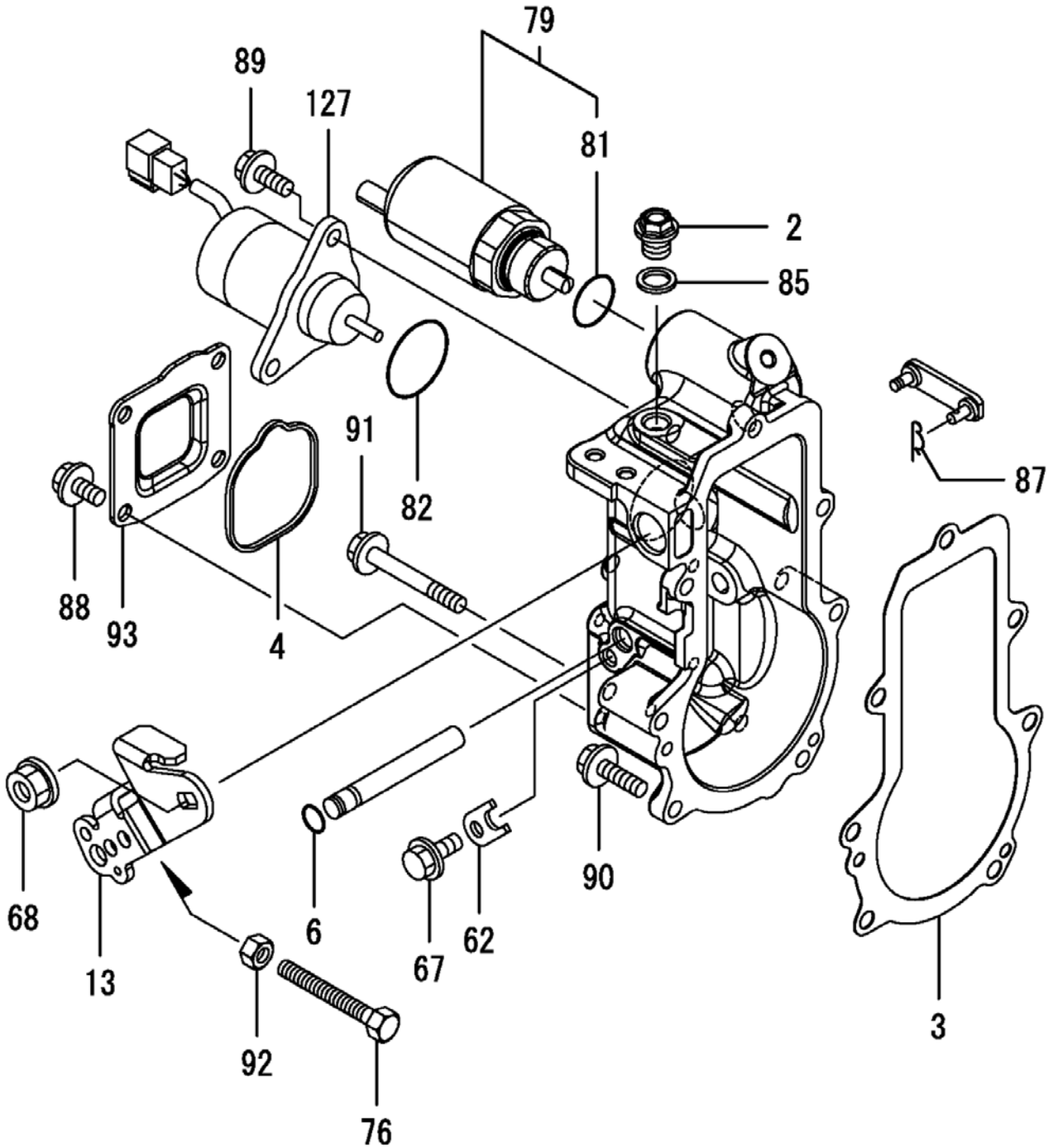
P1

YEAR

2017



RK24H



NOTE

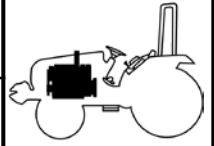
FIG 112

FUEL INJECTION VALVE

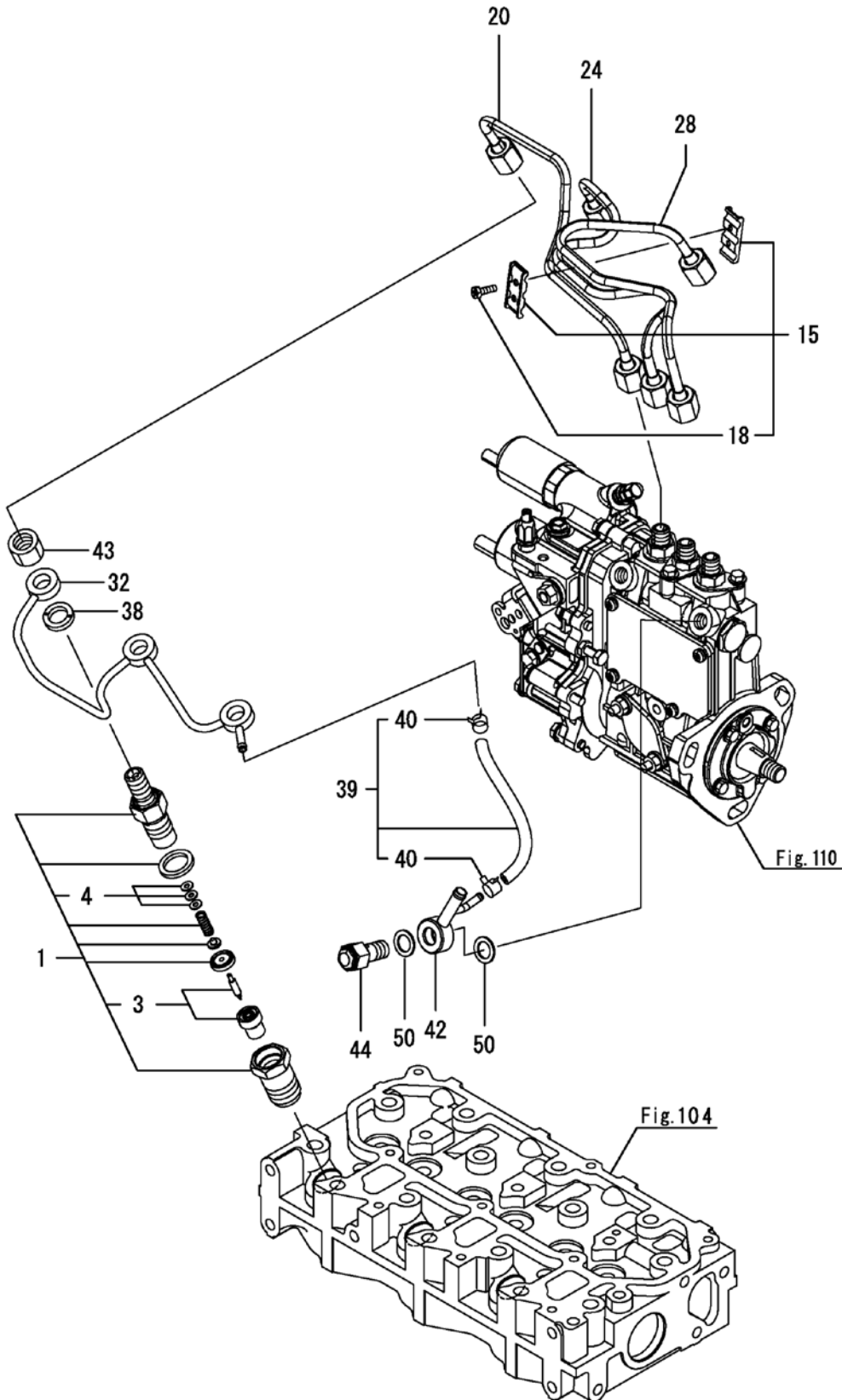
P1

YEAR

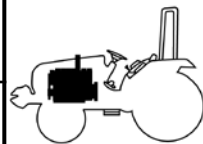
2017



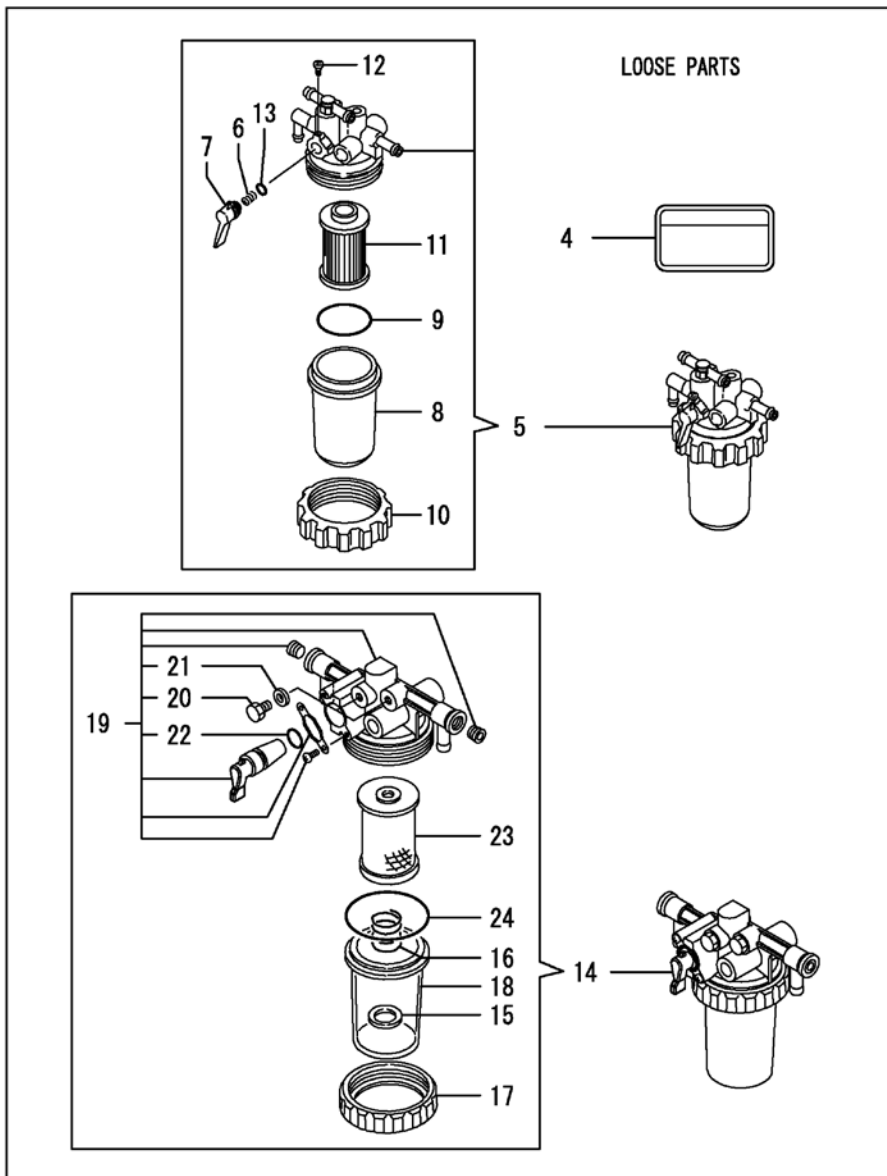
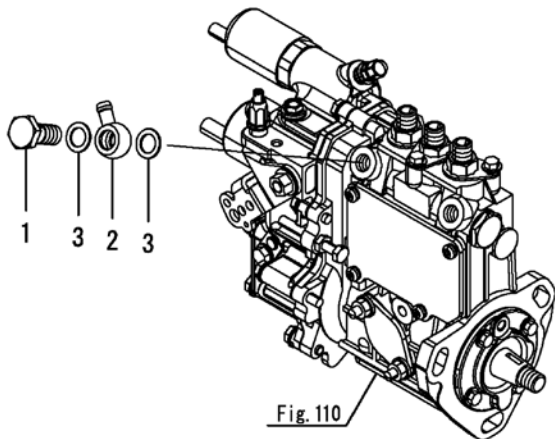
RK24H



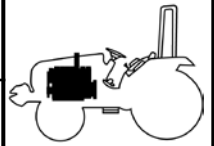
NOTE



RK24H

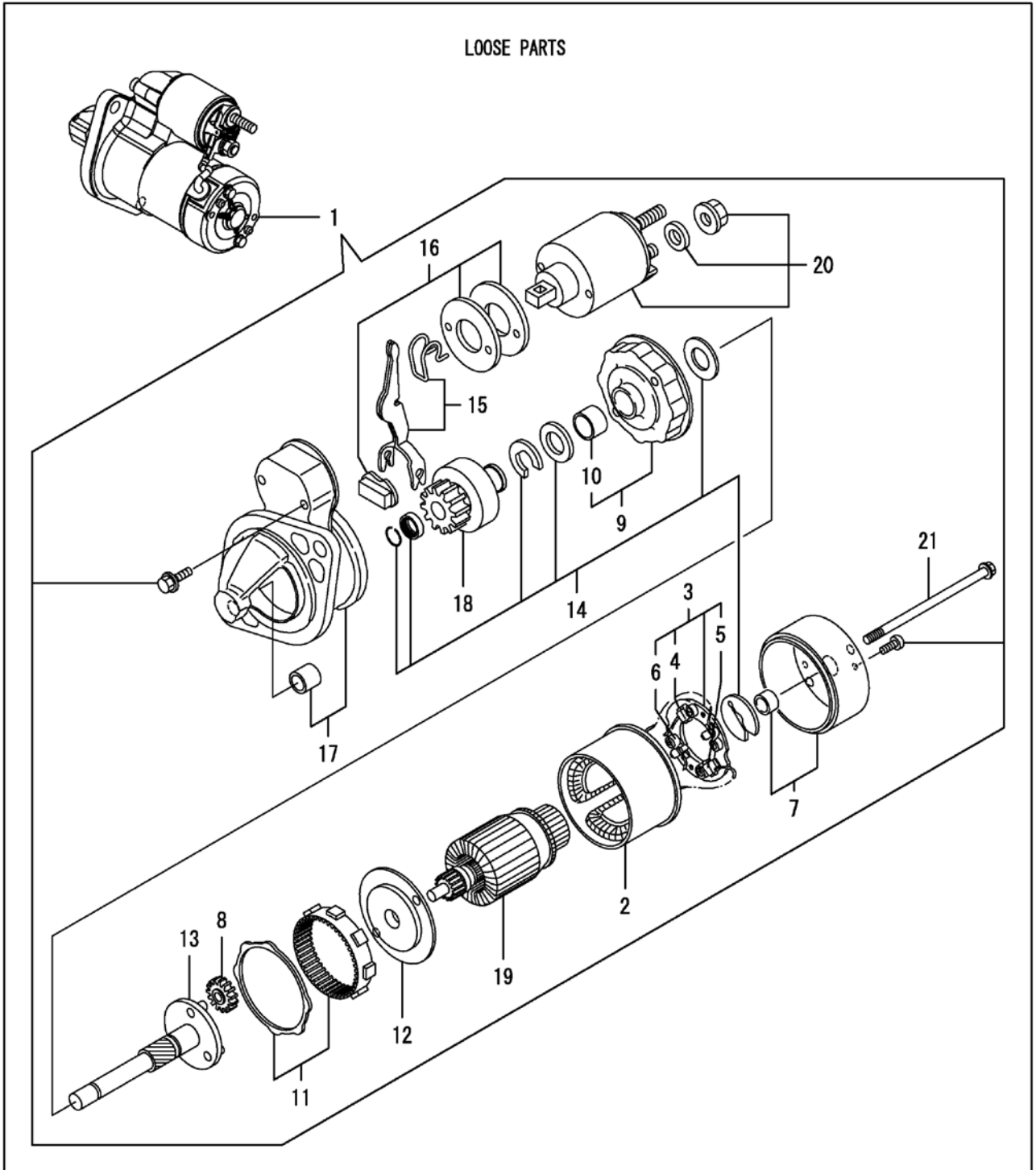


NOTE



RK24H

LOOSE PARTS



NOTE

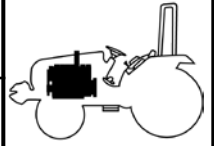
FIG 115

GENERATOR

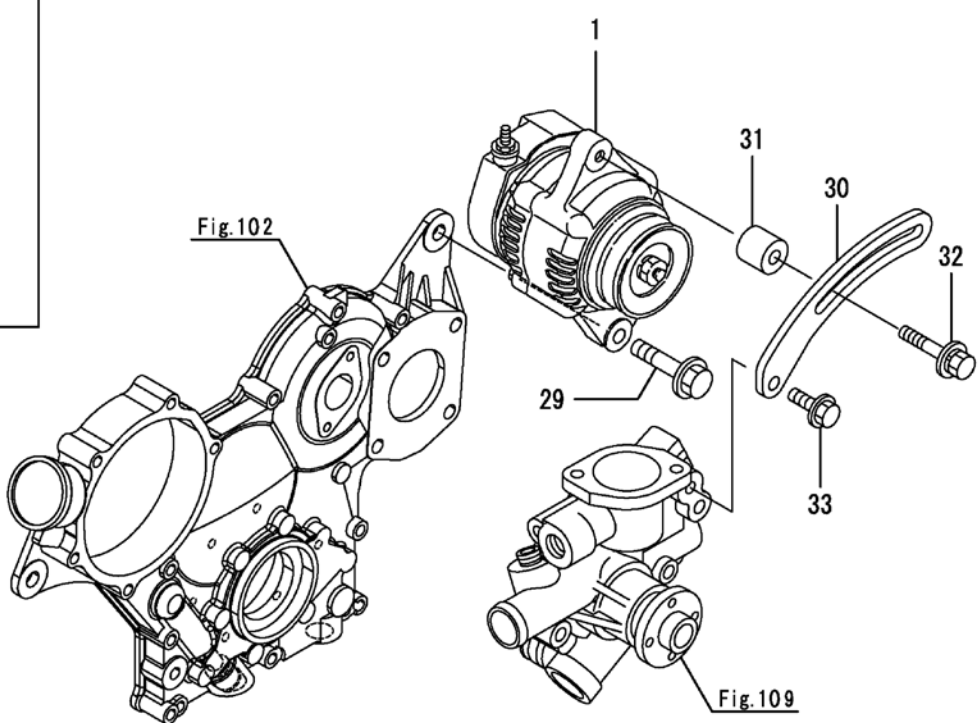
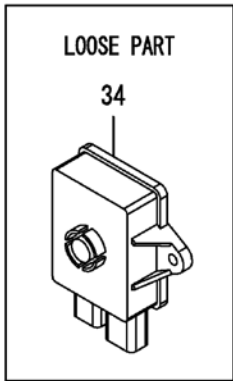
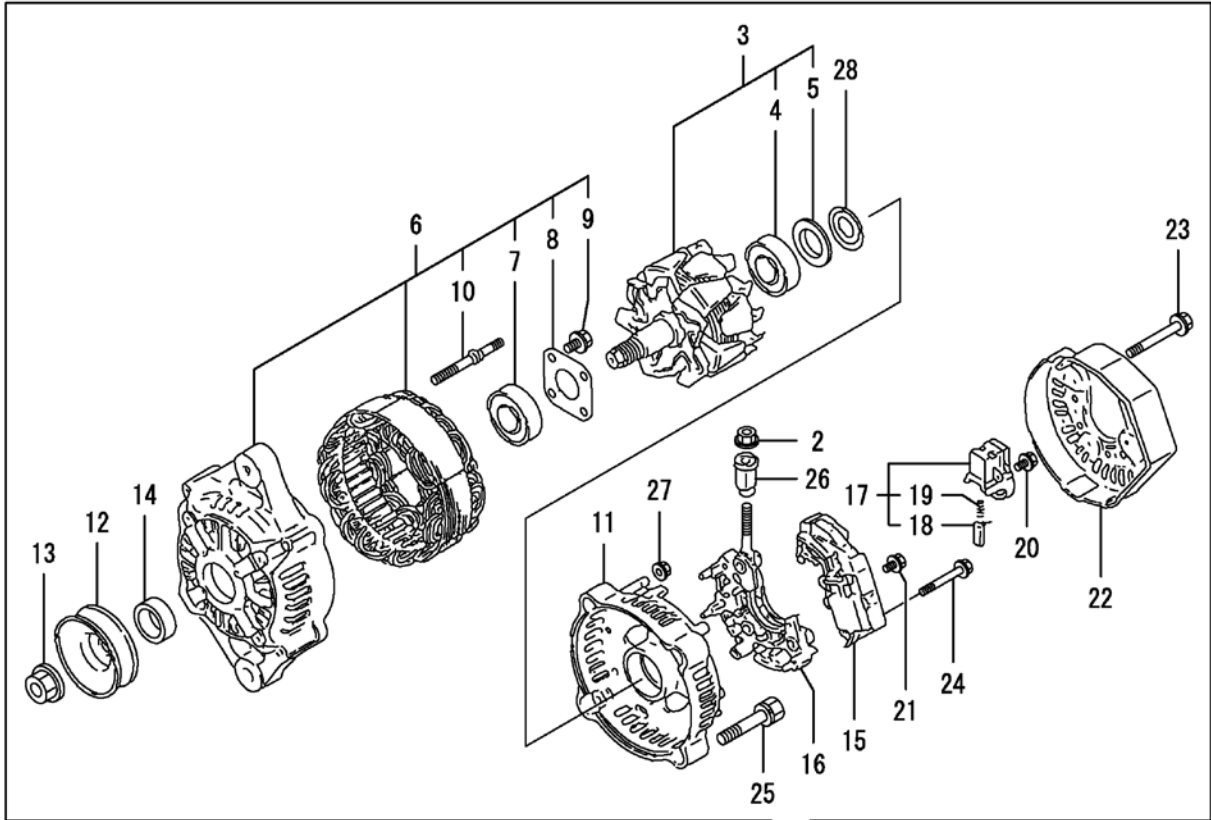
P1

YEAR

2017



RK24H



NOTE

FIG 116

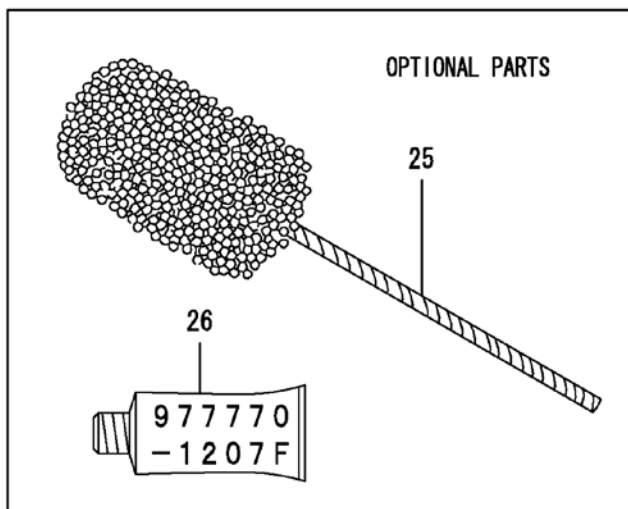
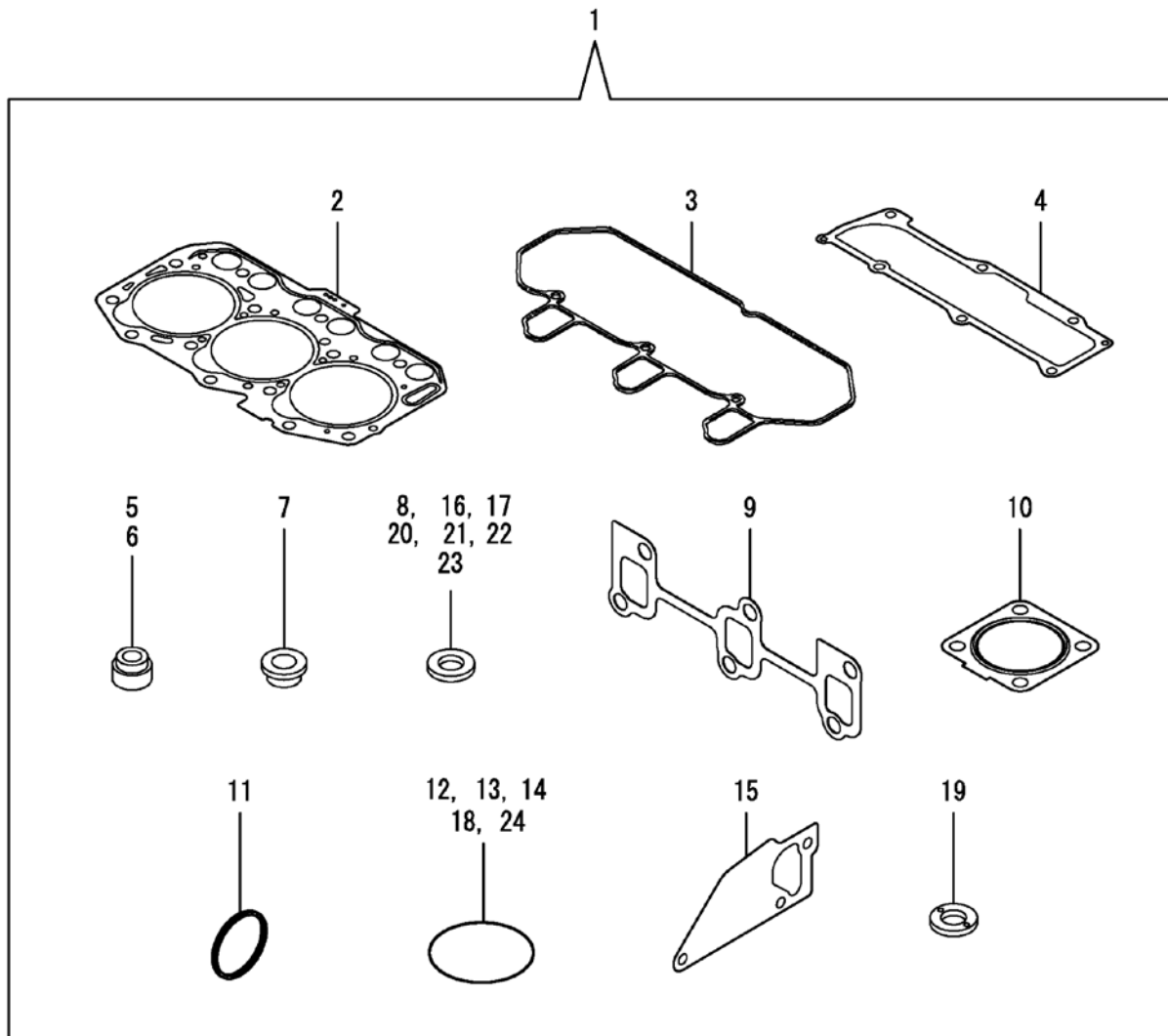
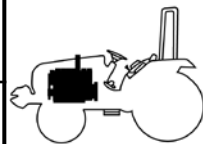
RK24H

GASKET SET

P1

YEAR

2017



NOTE

FIG 201

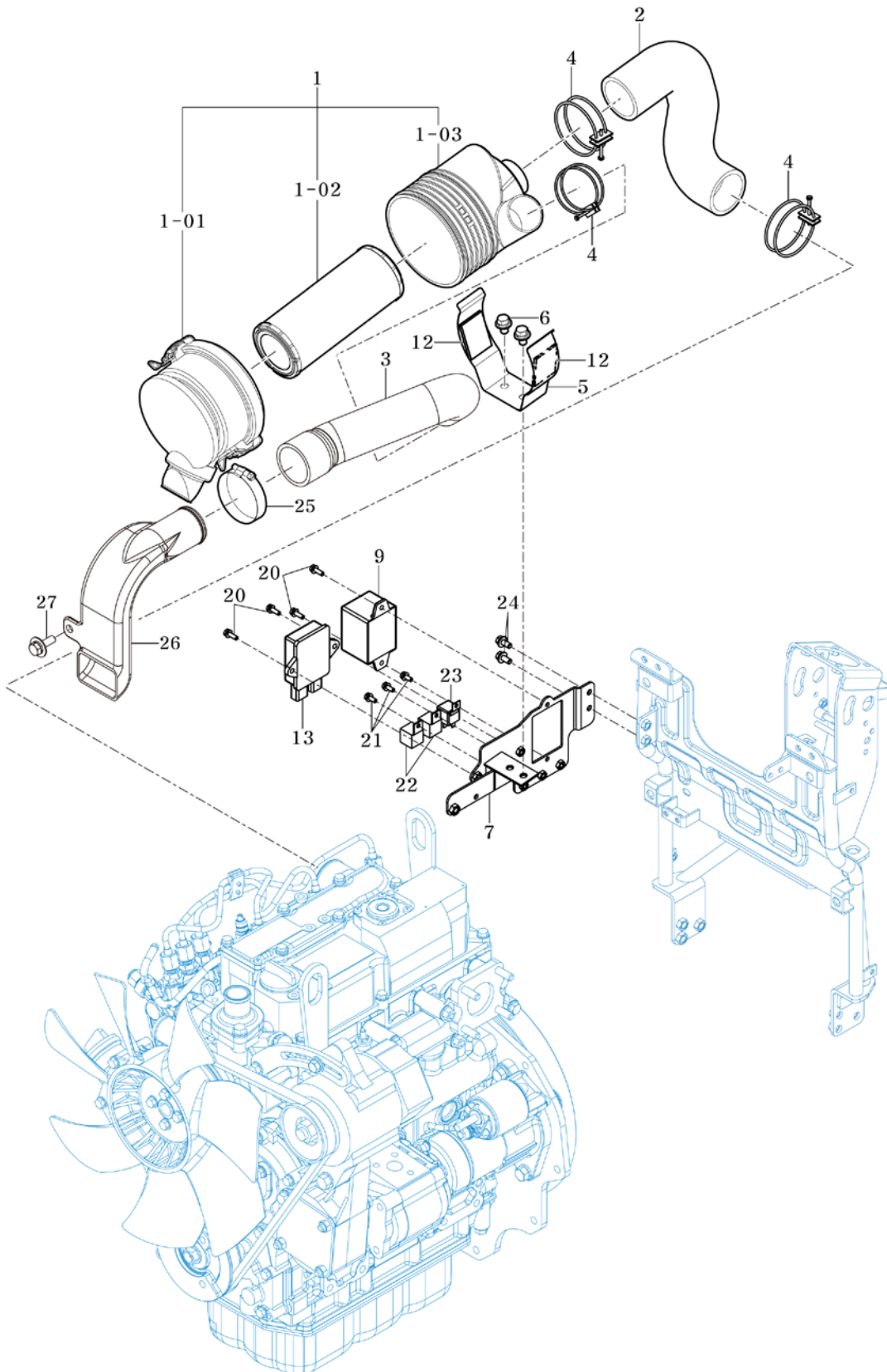
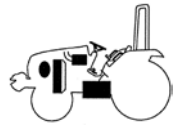
RK24H

AIR CLEANER

P1

YEAR

2017



T254-E-201

NOTE

FIG 202

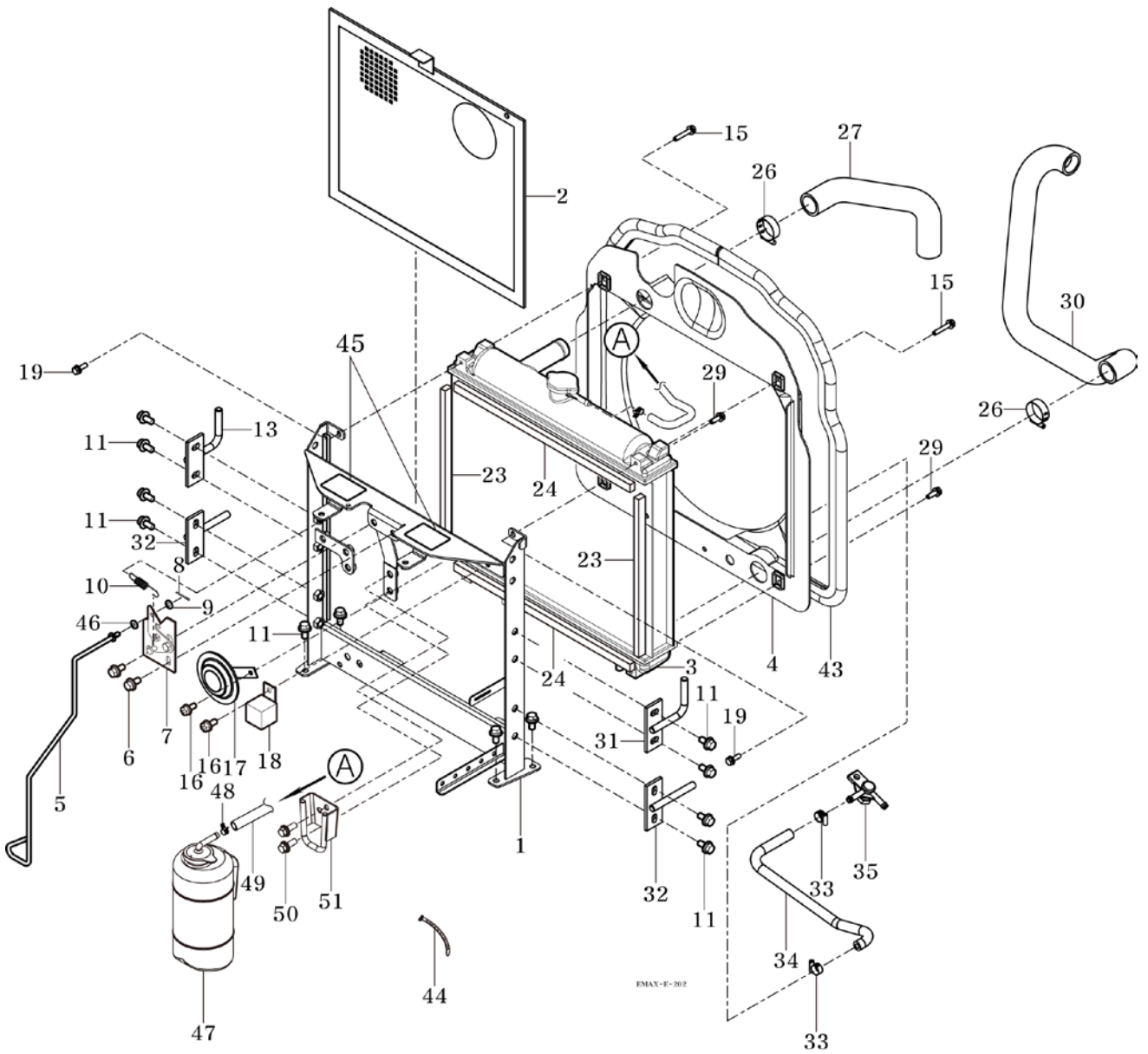
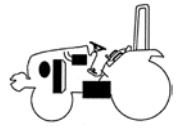
RK24H

RADIATOR

P1

YEAR

2017



NOTE

FIG 203

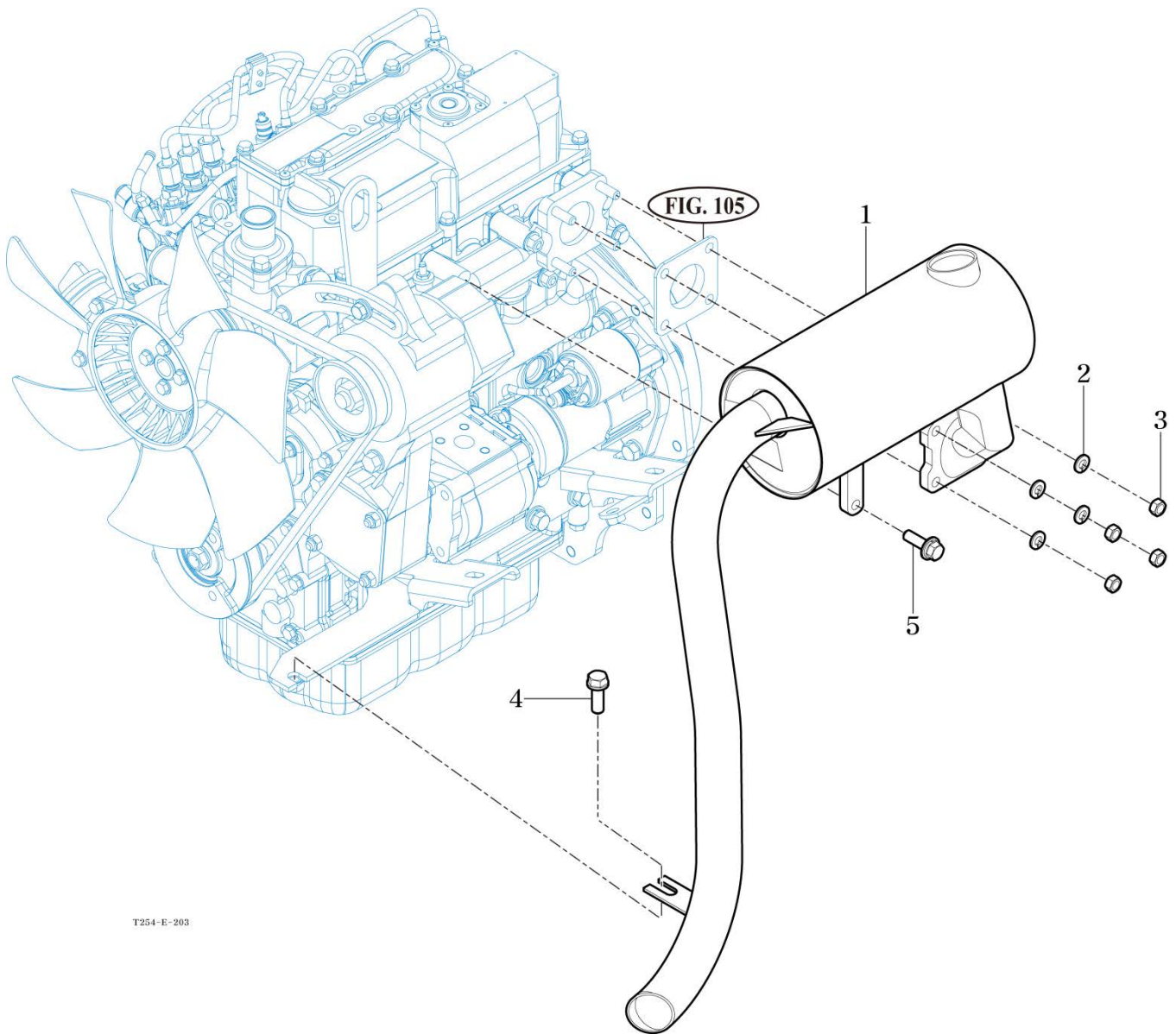
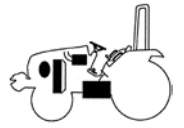
RK24H

MUFFLER

P1

YEAR

2017



T254-E-203

NOTE

FIG 204

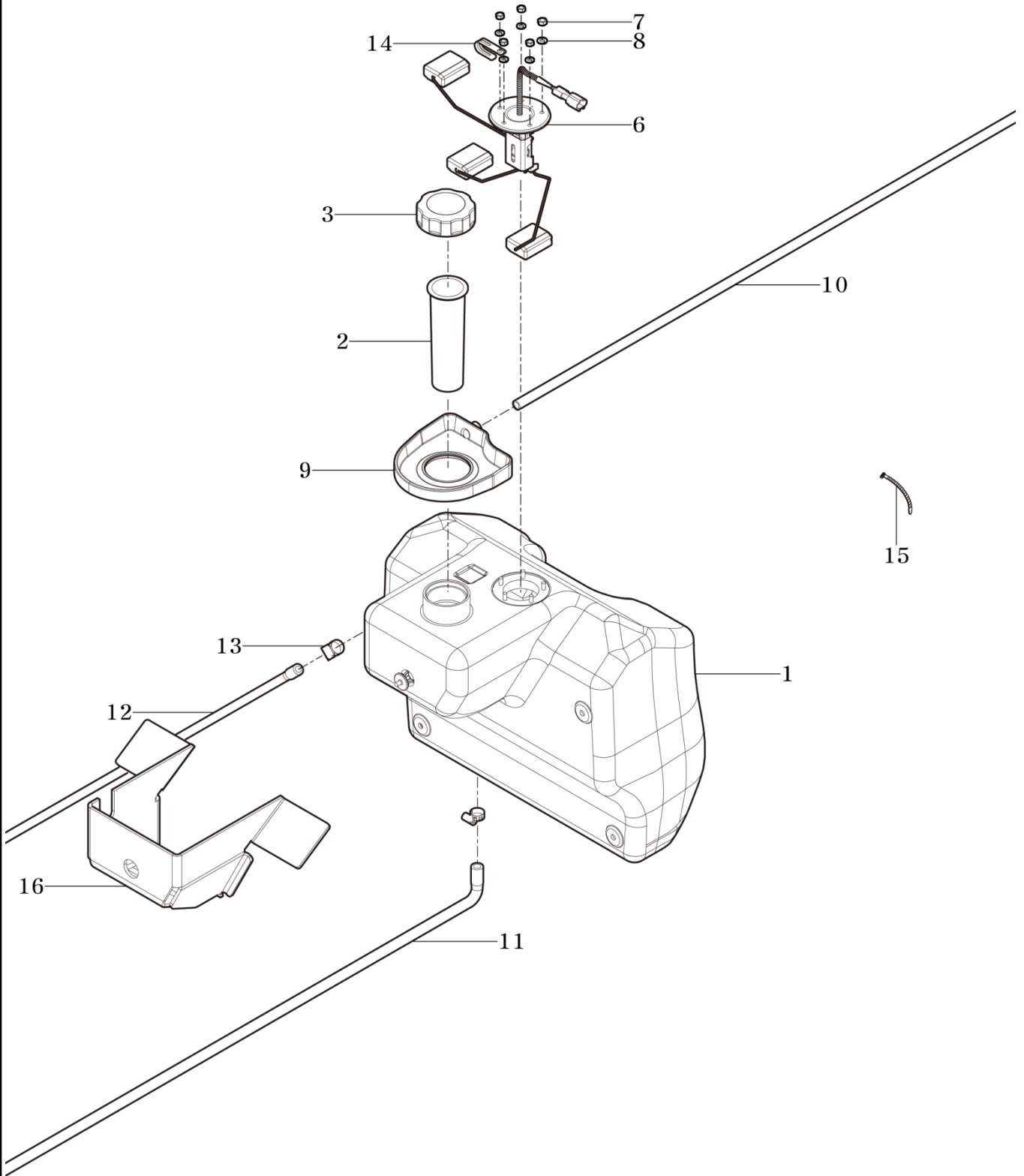
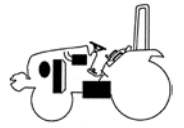
RK24H

FUEL TANK & FUEL LINE

P1

YEAR

2017



NOTE

FIG 205

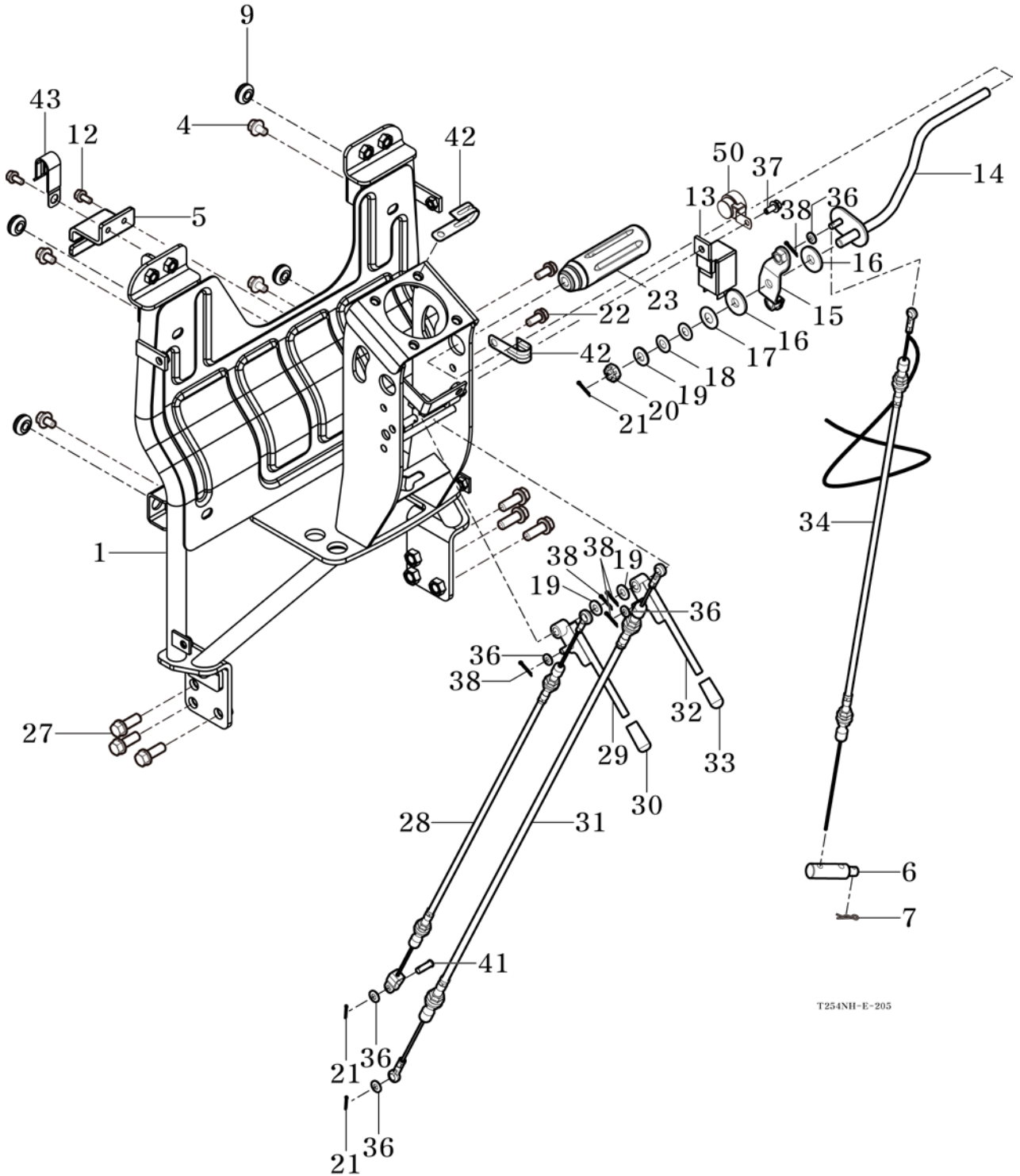
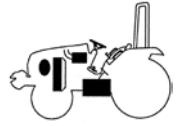
RK24H

ACCELERATOR

P1

YEAR

2017



T254NH-E-205

NOTE

FIG 206

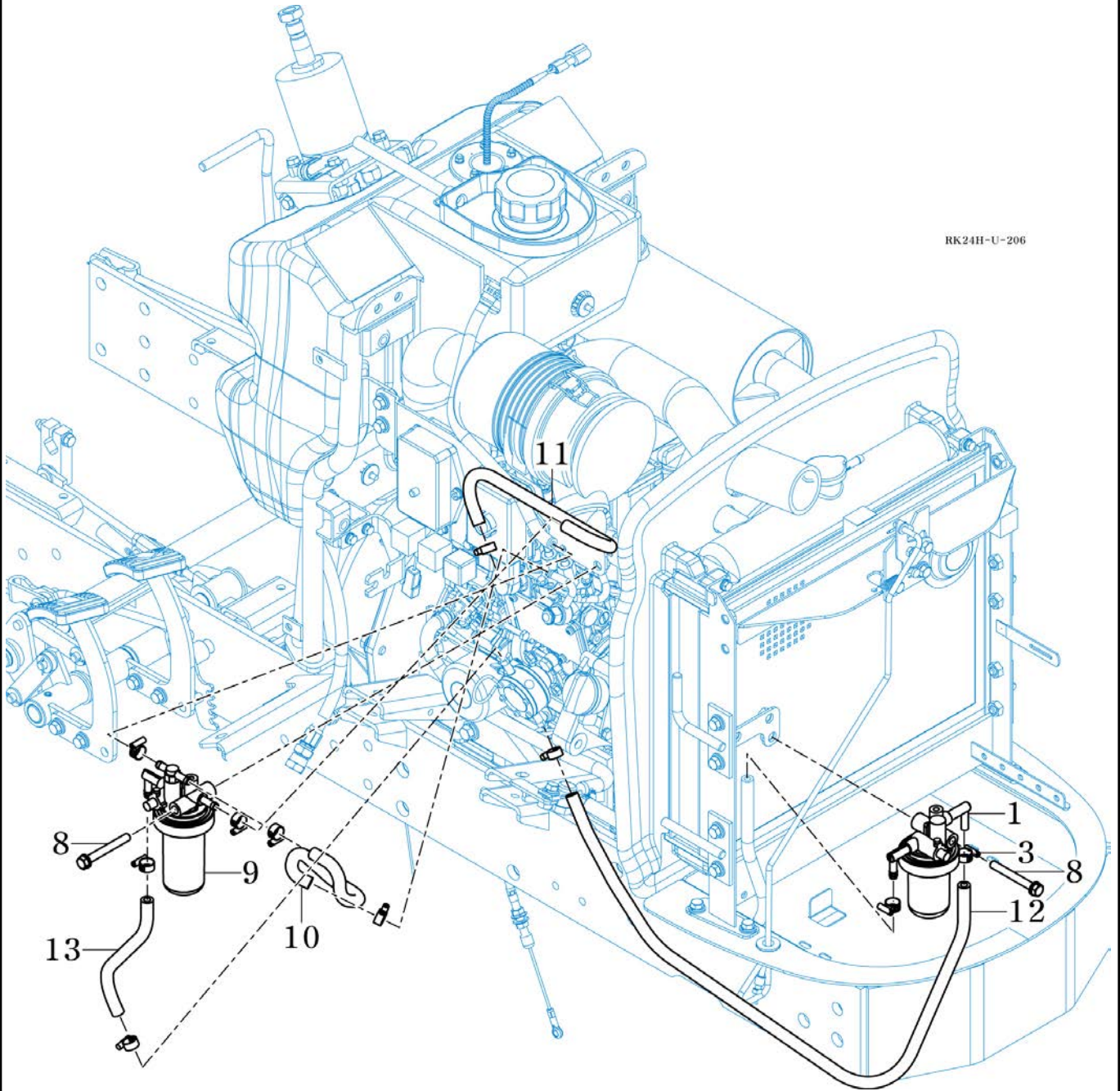
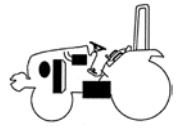
RK24H

FUEL FILTER

P1

YEAR

2017



RK24H-U-206

NOTE

FIG 207

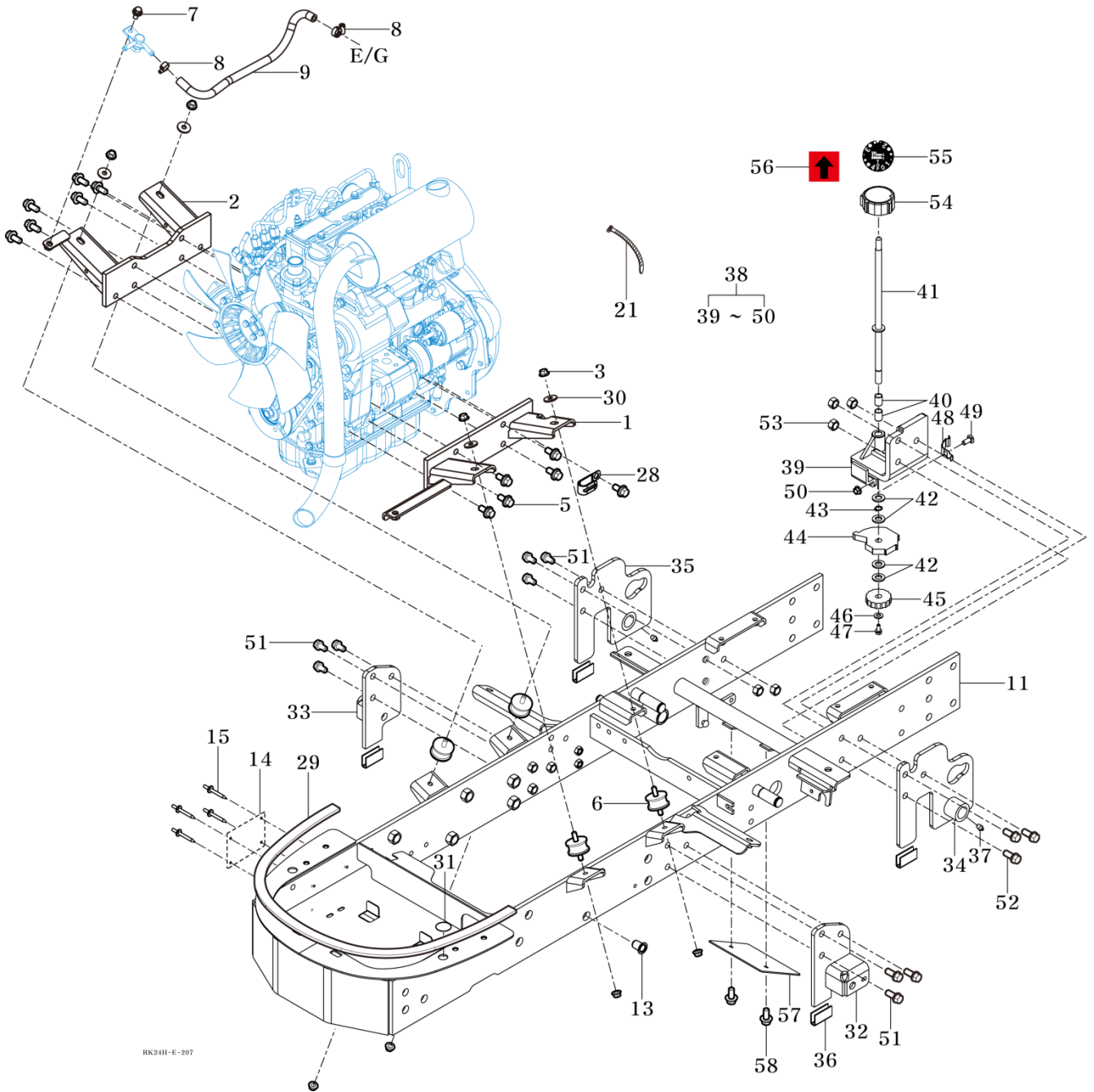
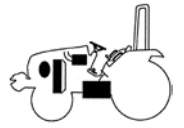
RK24H

ENGINE MOUNTING

P1

YEAR

2017



RK24H-E-207

NOTE

FIG 301

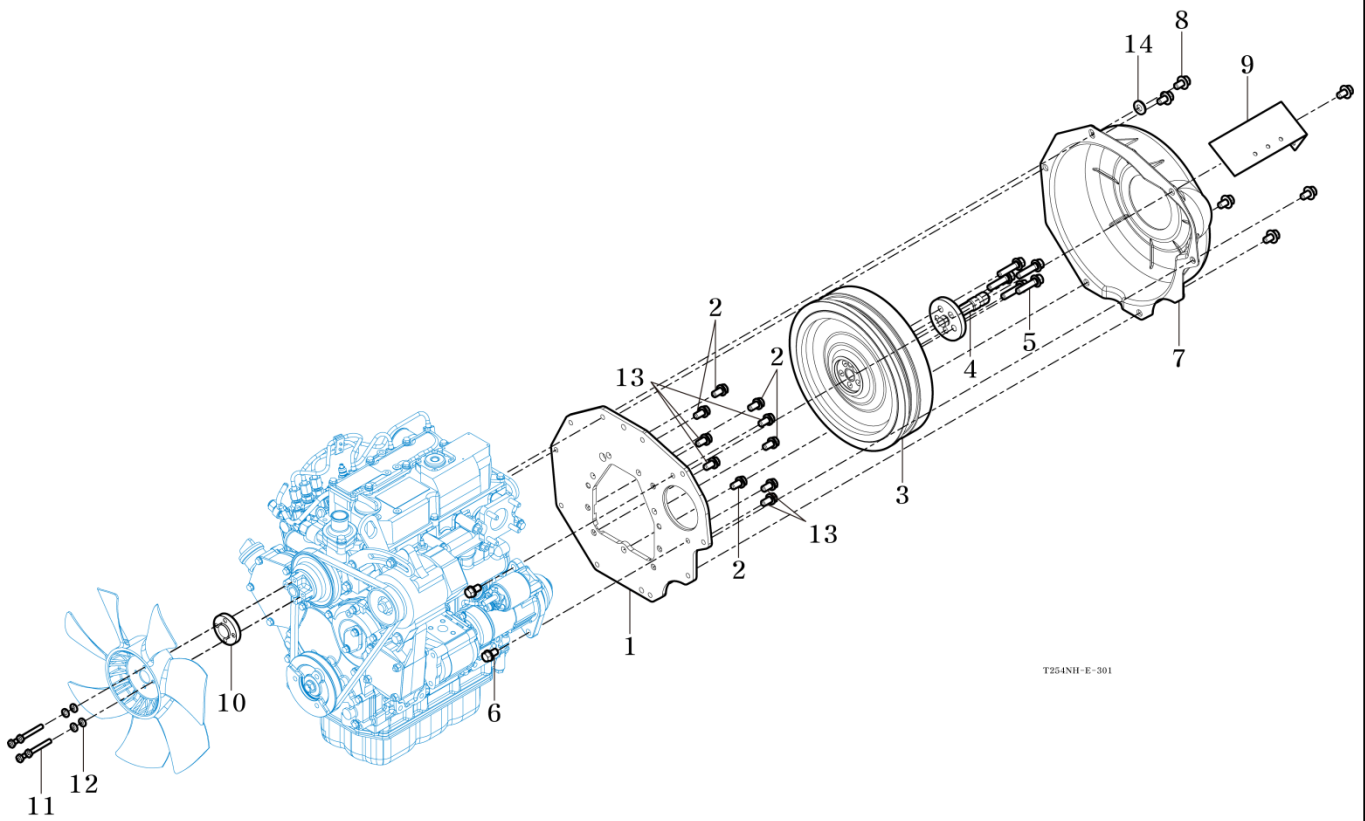
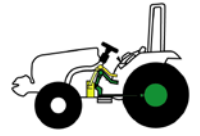
RK24H

FLYWHEEL COVER

P1

YEAR

2017



T254NH-E-301

NOTE

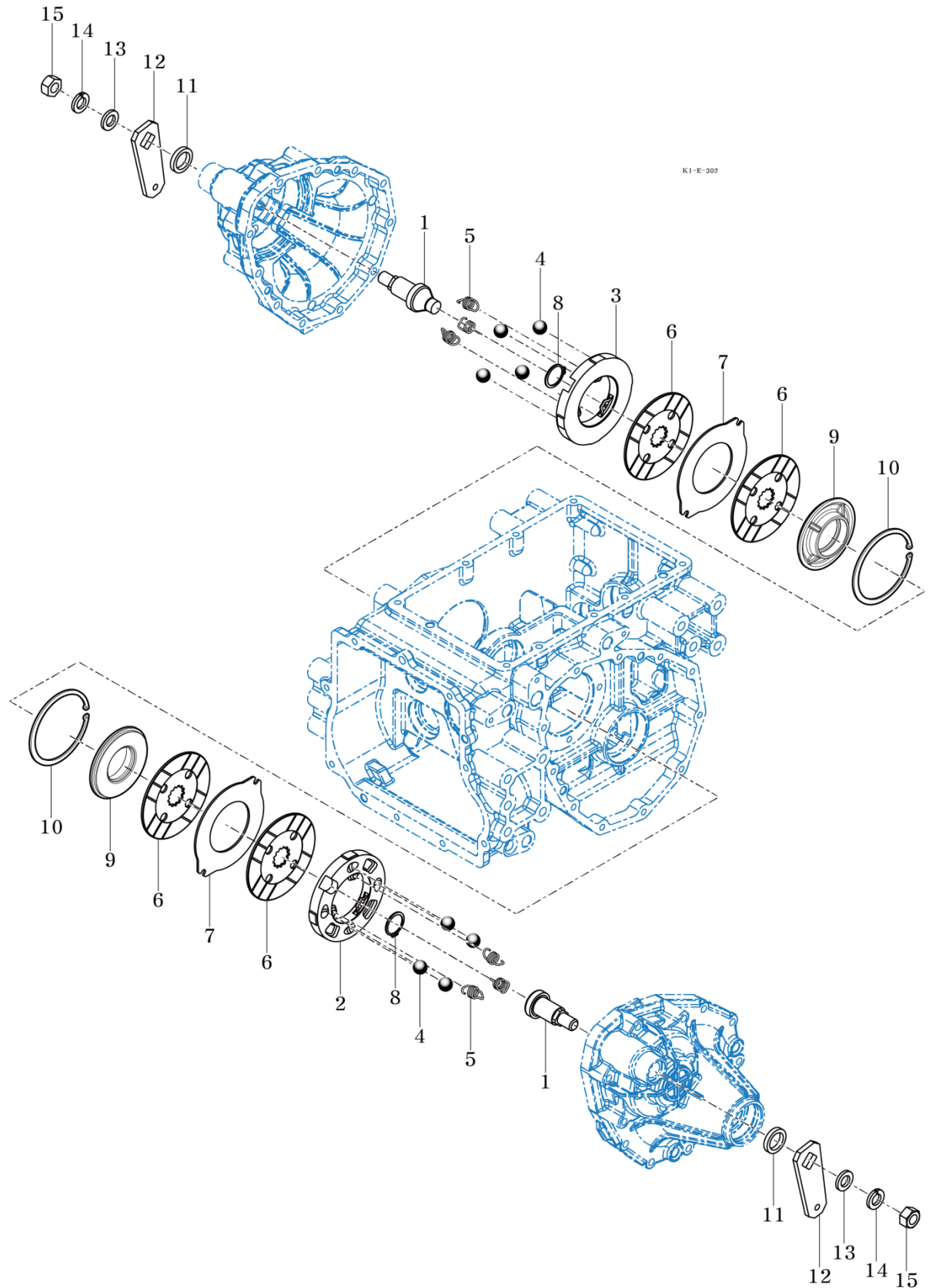
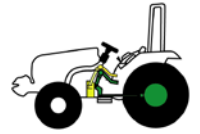
FIG 302

BRAKE

P1

YEAR

2017



NOTE

FIG 303

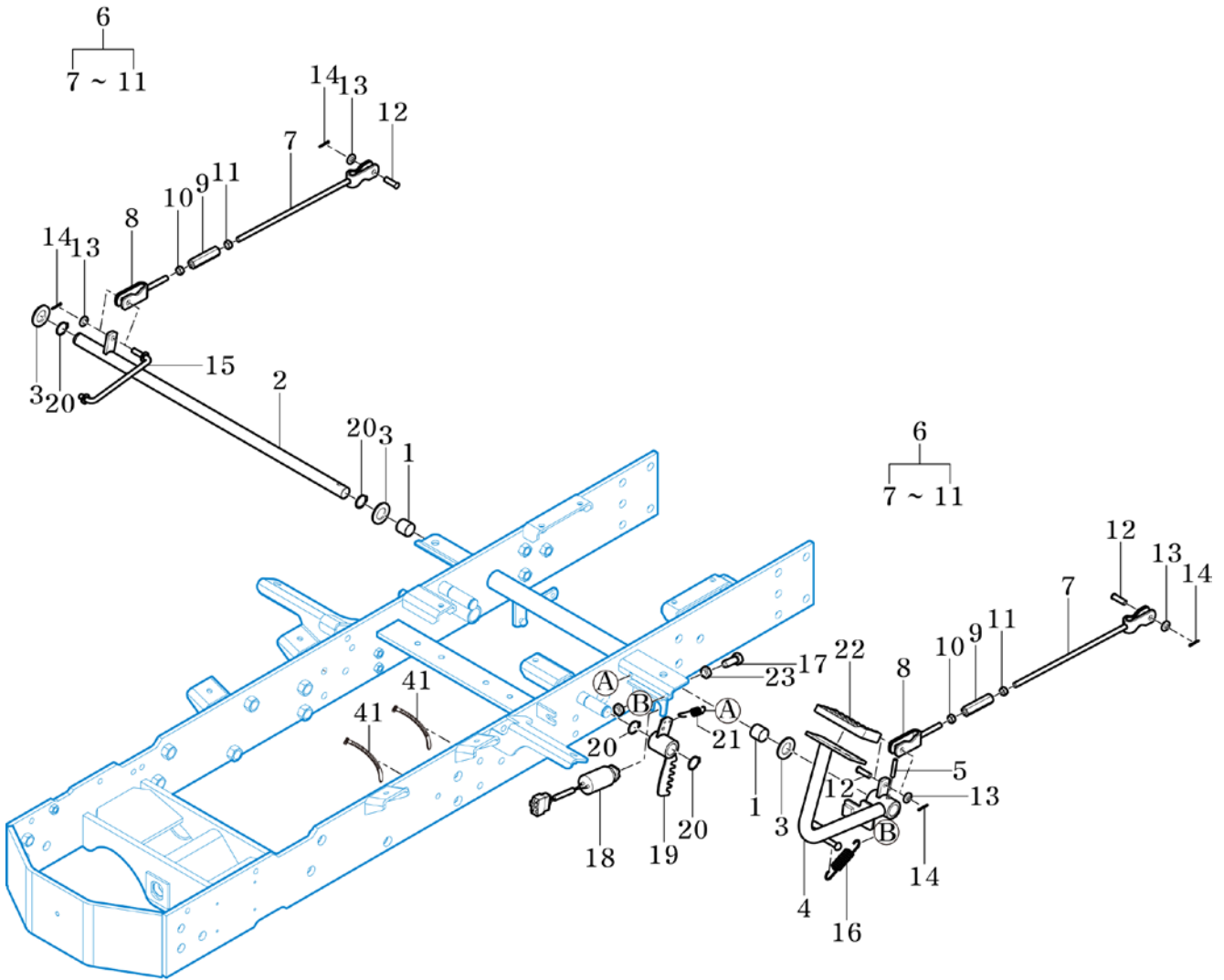
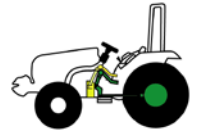
BRAKE PEDAL & LINKAGE

RK24H

P1

YEAR

2017



EMAX25NH22NH-E-304

NOTE

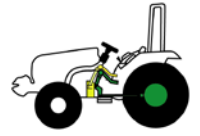
FIG 304

SPEED CONTROL

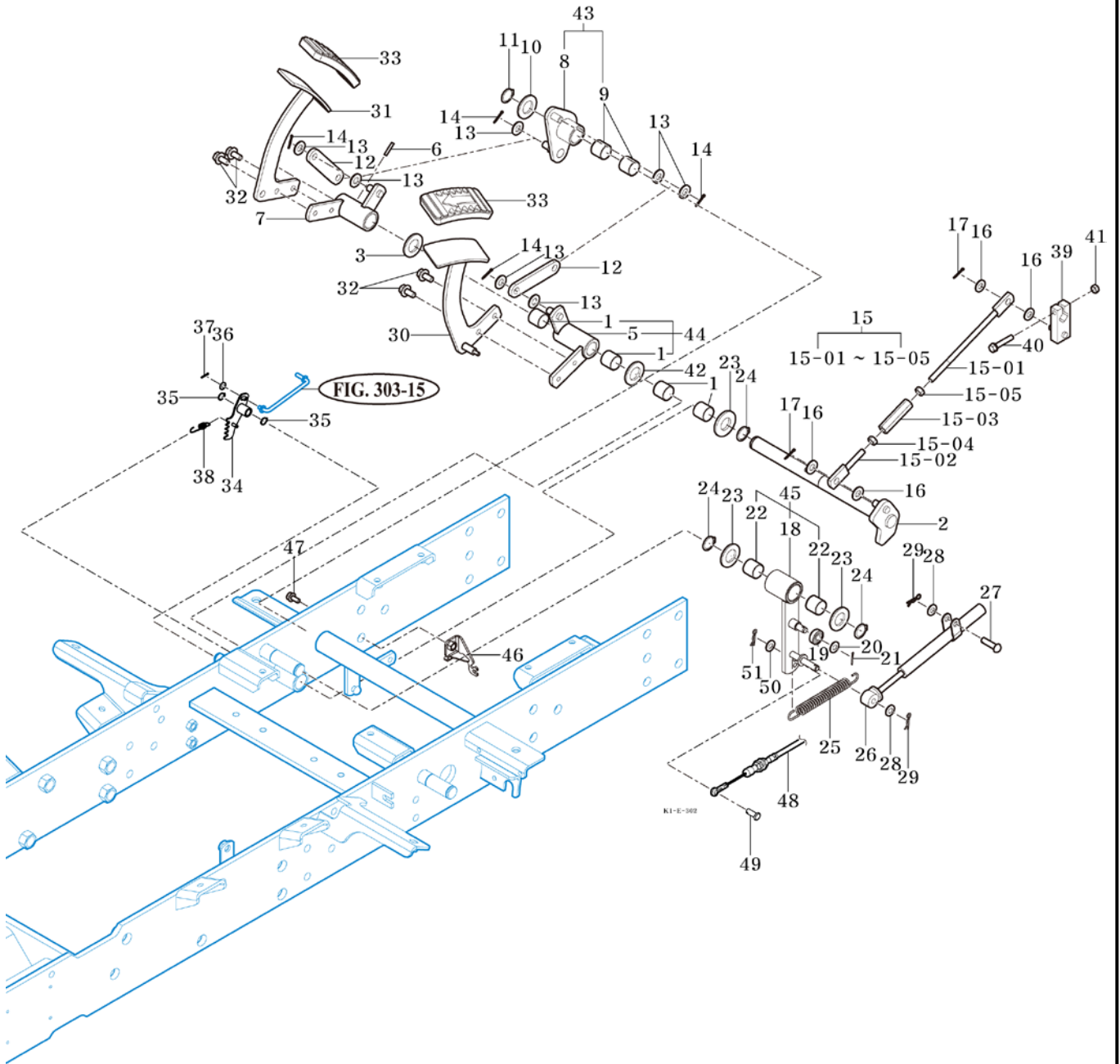
P1

YEAR

2017



RK24H



NOTE


FIG 304		SPEED CONTROL				P1	YEAR	
RK24H							2017	
KEY NO.	PART NO.	DESCRIPTION	SPEC.	QTY.	REPAIR	EFFECTIVE DATE	REMARKS	
304	001	11102320030	BUSH , 20X23X20		4	C		
304	002	11102323102	SHAFT COMP , PEDAL		1			
304	003	V4111600200	WASHER , PLAIN	M20	1			
304	005	11102323201	ARM COMP , FORWARD		1			
304	006	V5801406032	PIN , SPRING		1	C		
304	007	11102323301	ARM COMP , REVERSE		1			
304	008	11102323401	ARM COMP , CONNECT		1			
304	009	11102320030	BUSH , 20X23X20		2	C		
304	010	V4111600200	WASHER , PLAIN	M20	1			
304	011	V7041400200	C-RING , SHAFT	20	1			
304	012	11102320010	LINK		2			
304	013	V4111600100	WASHER , PLAIN	M10	7			
304	014	V5001920015	PIN , SPLIT	2.0X15	4			
304	015	11102325001	ROD ASSY , CONTROL		1			
304	01501	11102325101	ROD COMP , LH		1			
304	01502	11102325201	ROD COMP , RH		1			
304	01503	16601220020	TURNBUCKLE , M8 L60		1			
304	01504	V3042600080	NUT , HEX/2	M8	1			
304	01505	15601320073	NUT , HEX LH	M8/LH	1			
304	016	V4111600100	WASHER , PLAIN	M10	4			
304	017	V5001920015	PIN , SPLIT	2.0X15	2			
304	018	11102324101	ARM COMP , CAM		1		-2017.08.31	
304	018	10512324100	ARM COMP , CAM		1		2017.09.01~	
304	019	14722310060	BEARING , BALL	608DD	1			
304	020	V4111600080	WASHER , PLAIN		1			
304	021	V5001920015	PIN , SPLIT	2.0X15	1			
304	022	11102320030	BUSH , 20X23X20		2	C		
304	023	V4111600200	WASHER , PLAIN	M20	3			
304	024	V7041400200	C-RING , SHAFT	20	3			
304	025	14722310033	SPRING , RETURN		1			
304	026	11102321000	DAMPER , OIL 110		1			
304	027	14043120060	PIN , YOKE		1			
304	028	V4111600080	WASHER , PLAIN		2			
304	029	V5601600008	PIN , SNAP		2			
304	030	11102322400GB	PEDAL COMP , FORWARD		1			
304	031	11102322500GB	PEDAL COMP , REVERSE		1			
304	032	V2183608020	BOLT , HEX/SP	M8X20	4			
304	033	14722312730	PAD		2			
304	034	11102326201	RATCHET COMP , CRUISE		1			
304	035	V7041400150	C-RING , SHAFT		2			
304	036	V4111600080	WASHER , PLAIN		1			
304	037	V5001920015	PIN , SPLIT	2.0X15	1			
304	038	11102320020	SPRING , 66		1			
304	039	11102322100	HOLDER COMP		1			
304	040	V2173608045	BOLT , HEX/S	M8X45	1			
304	041	V3042600080	NUT , HEX/S	M8	1			
304	042	11102320040	WASHER , 32X21X5		1			
304	043	11102321200	ARM ASSY , CONNECT		1			
304	044	11102321100	ARM ASSY , FORWARD		1			
304	045	11102321300	ARM ASSY , CAM		1		-2017.08.31	
			- NEXT -					
NOTE								

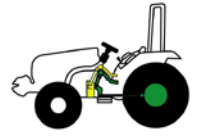
FIG 304

SPEED CONTROL

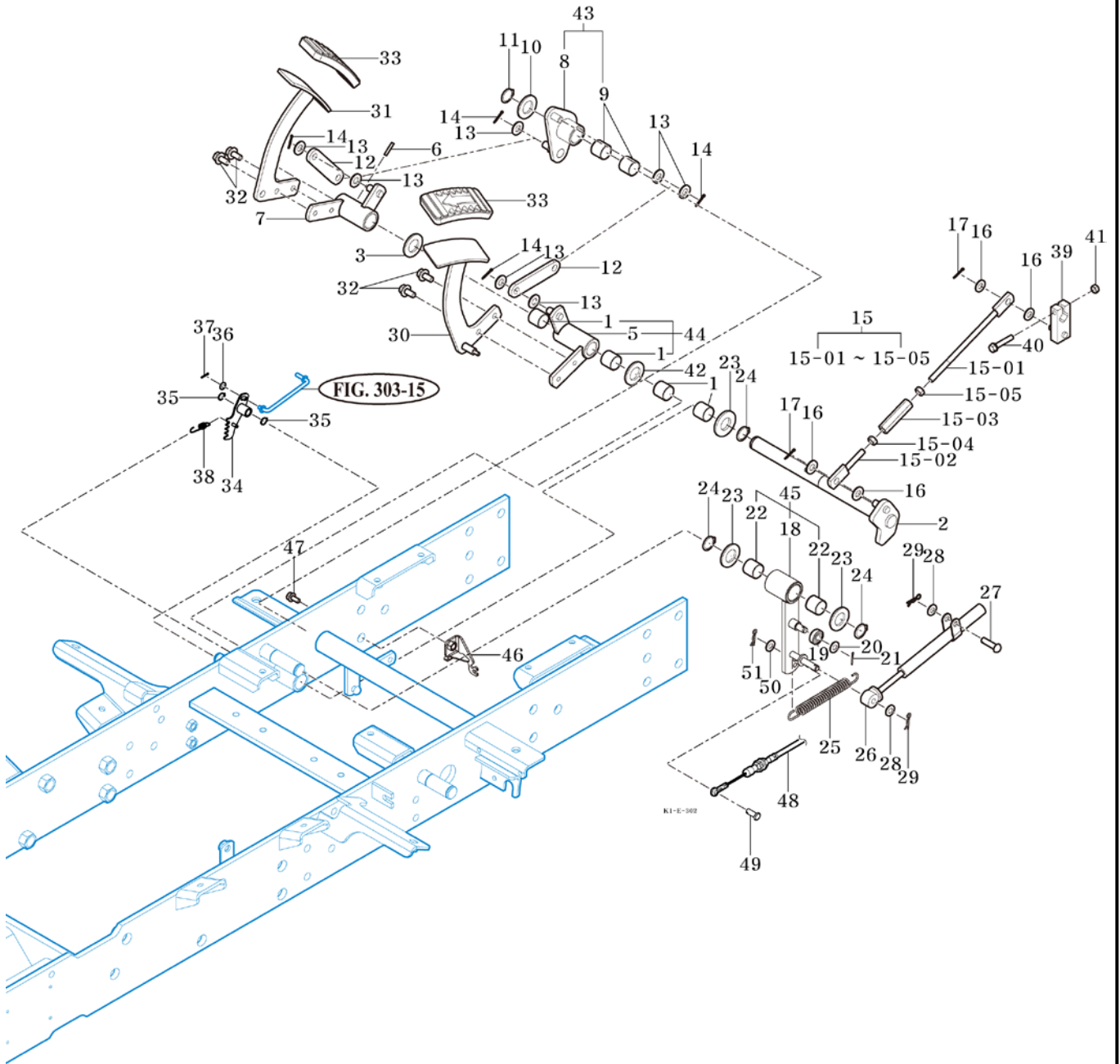
P2

YEAR

2017



RK24H



NOTE

FIG 305

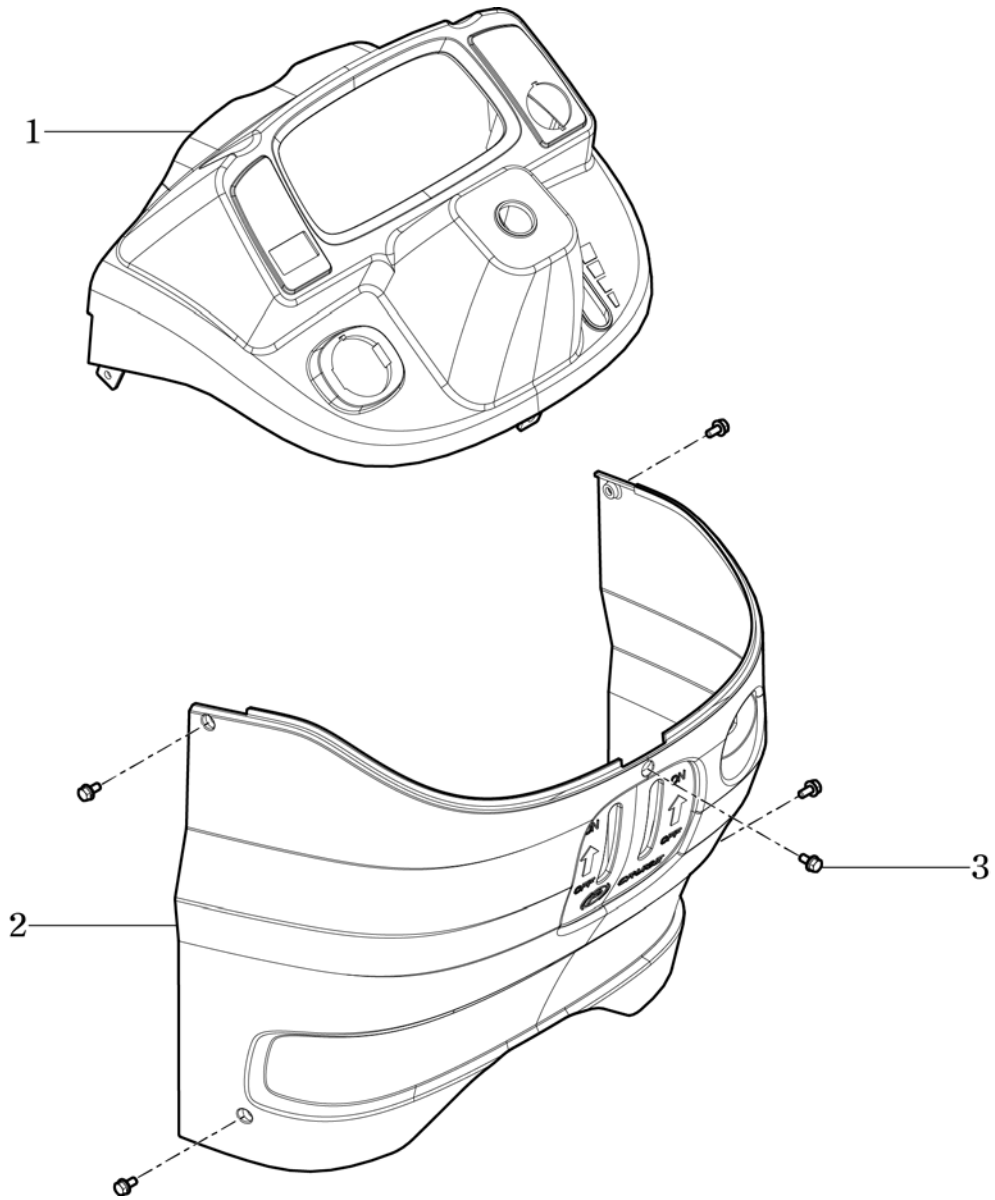
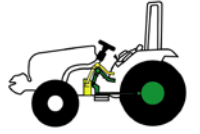
RK24H

DASH COVER

P1

YEAR

2017



NOTE

FIG 306

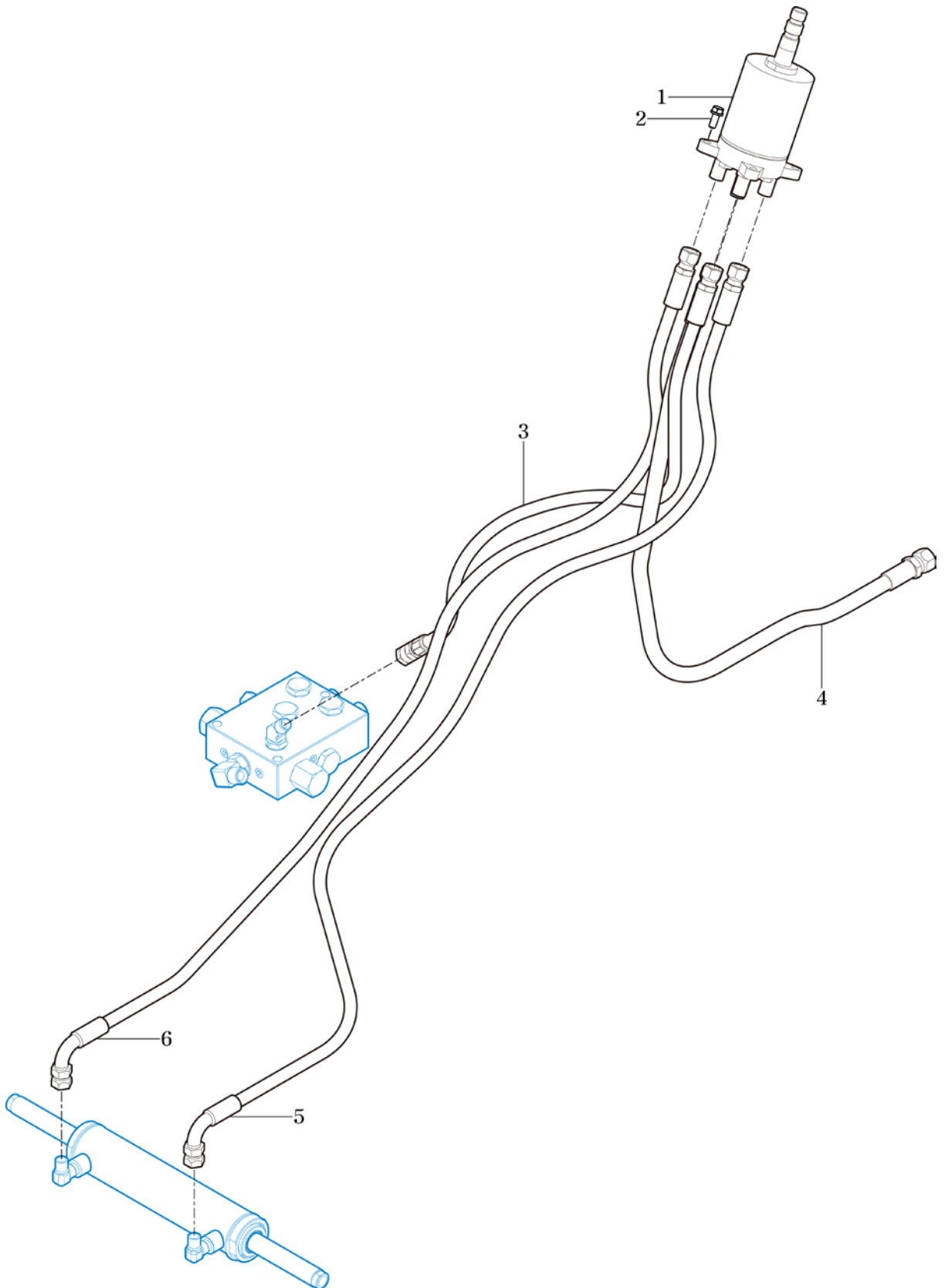
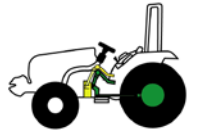
RK24H

STEERING VALVE

P1

YEAR

2017



NOTE

FIG 307

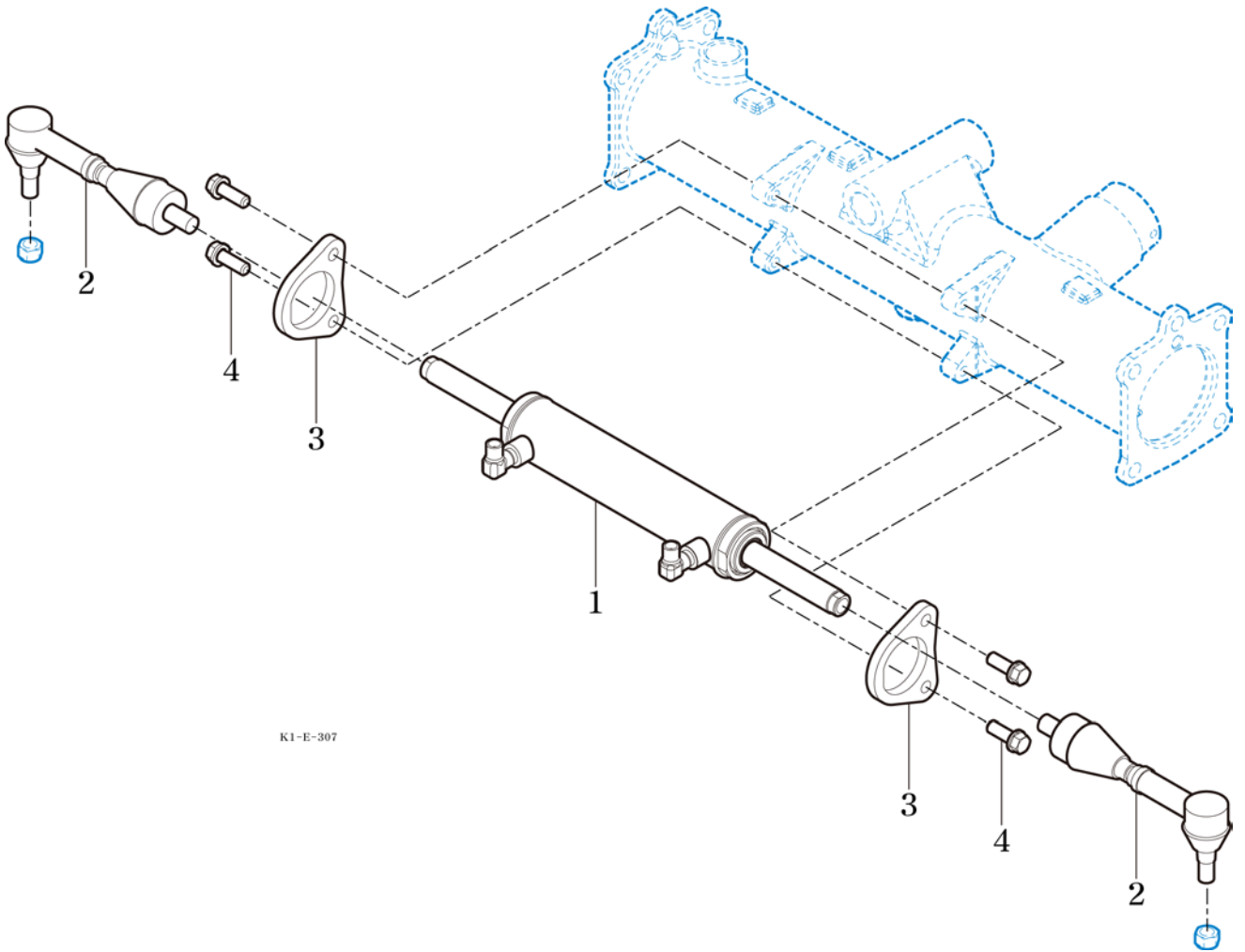
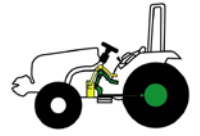
RK24H

STEERING CYLINDER

P1

YEAR

2017



K1-E-307

NOTE

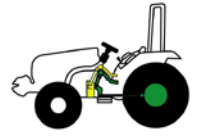
FIG 308

STEERING WHEEL

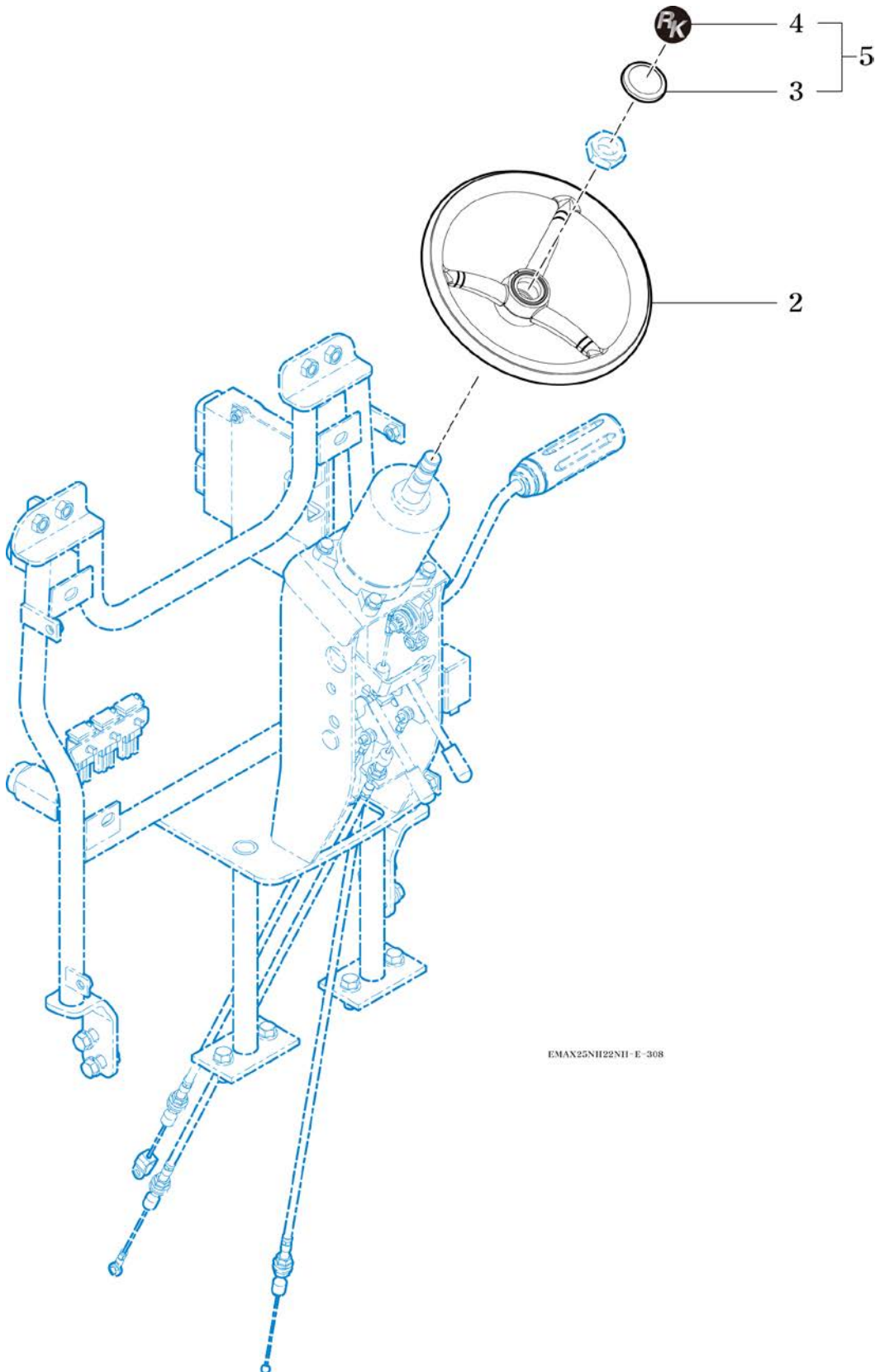
P1

YEAR

2017



RK24H



EMAX25NH22NH-E-308

NOTE

FIG 309

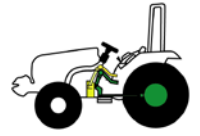
RK24H

WHEEL

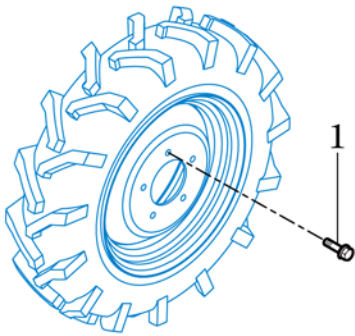
P1

YEAR

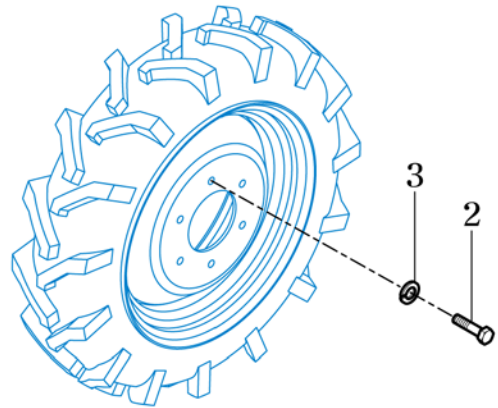
2017



FRONT



REAR



EMAX25NH22NH-E-309

NOTE

FIG 401

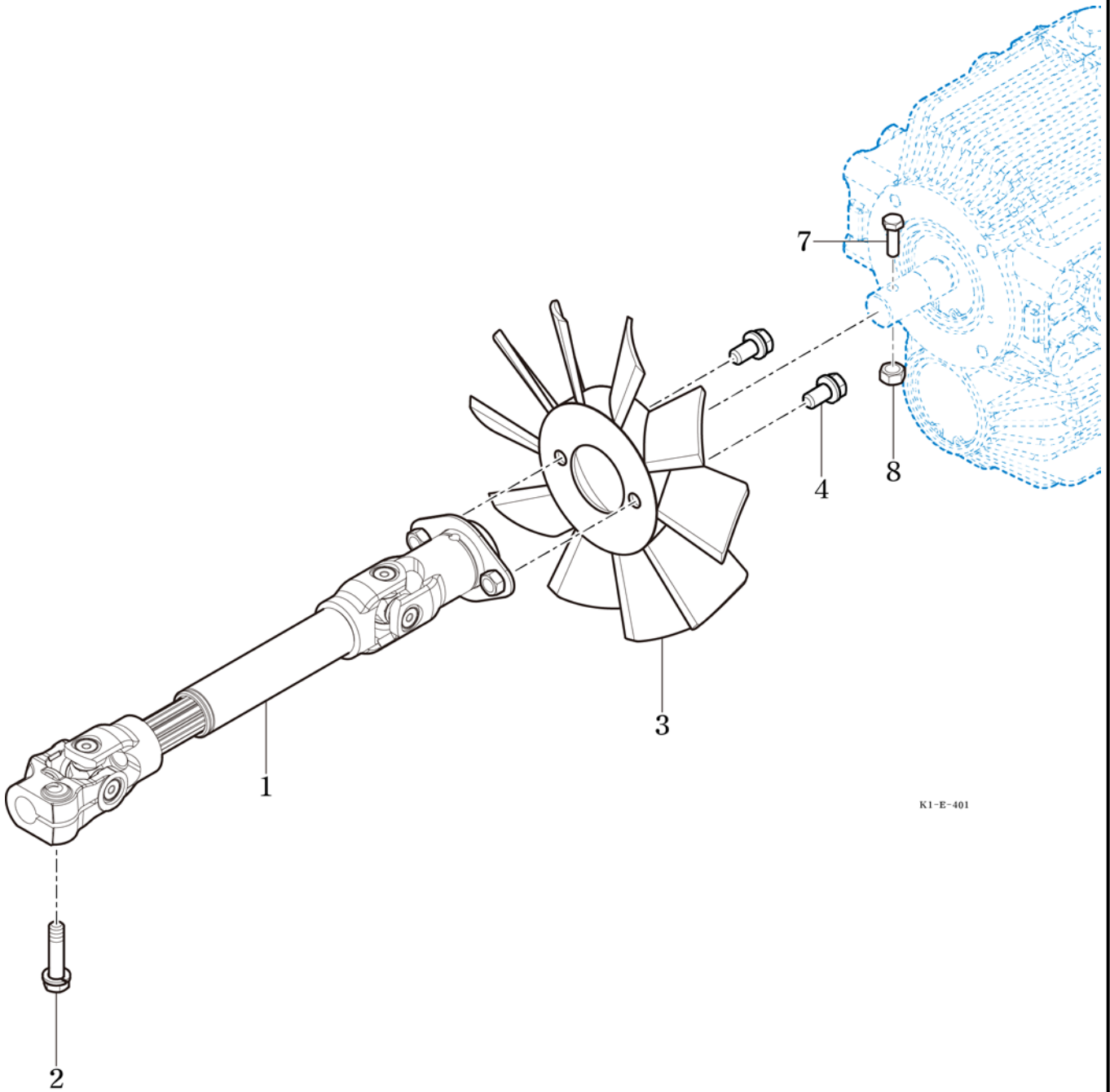
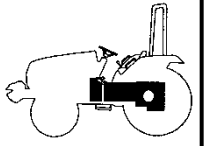
RK24H

INPUT SHAFT

P1

YEAR

2017



K1-E-401

NOTE

FIG 402

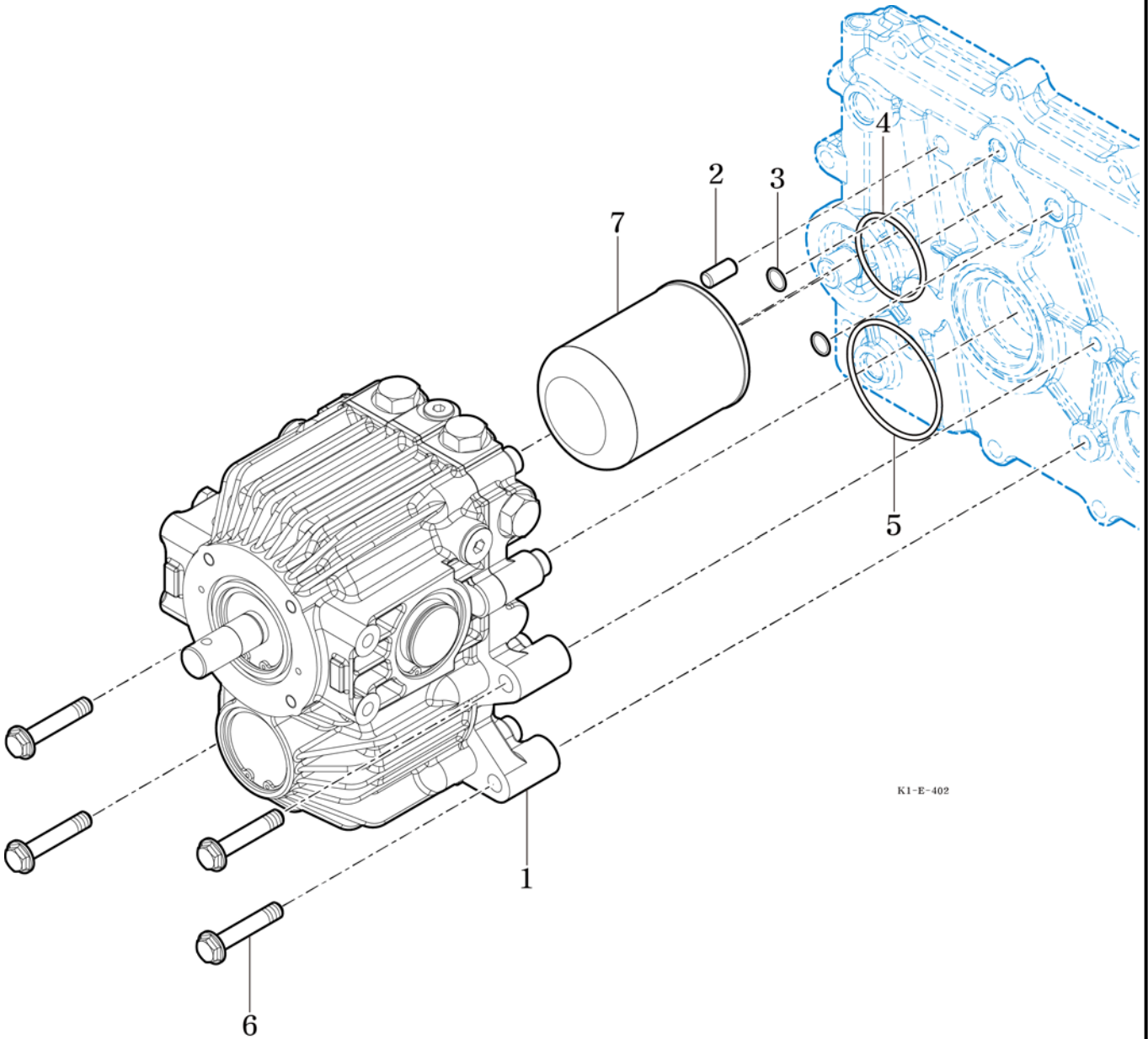
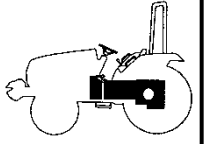
RK24H

HST

P1

YEAR

2017



K1-E-402

NOTE

FIG 403

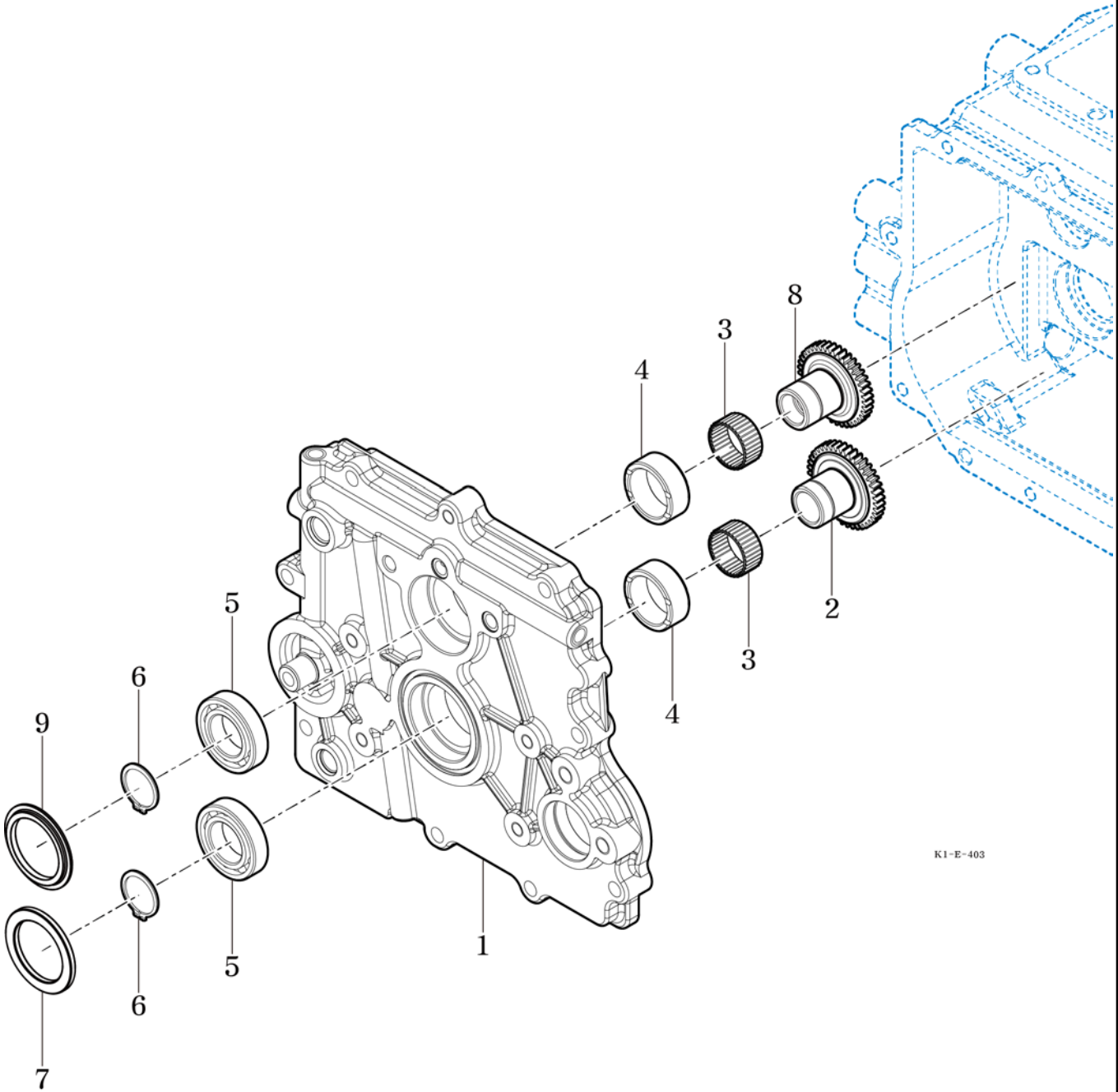
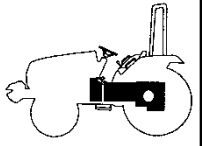
RK24H

INPUT GEAR

P1

YEAR

2017



K1-E-403

NOTE

FIG 404

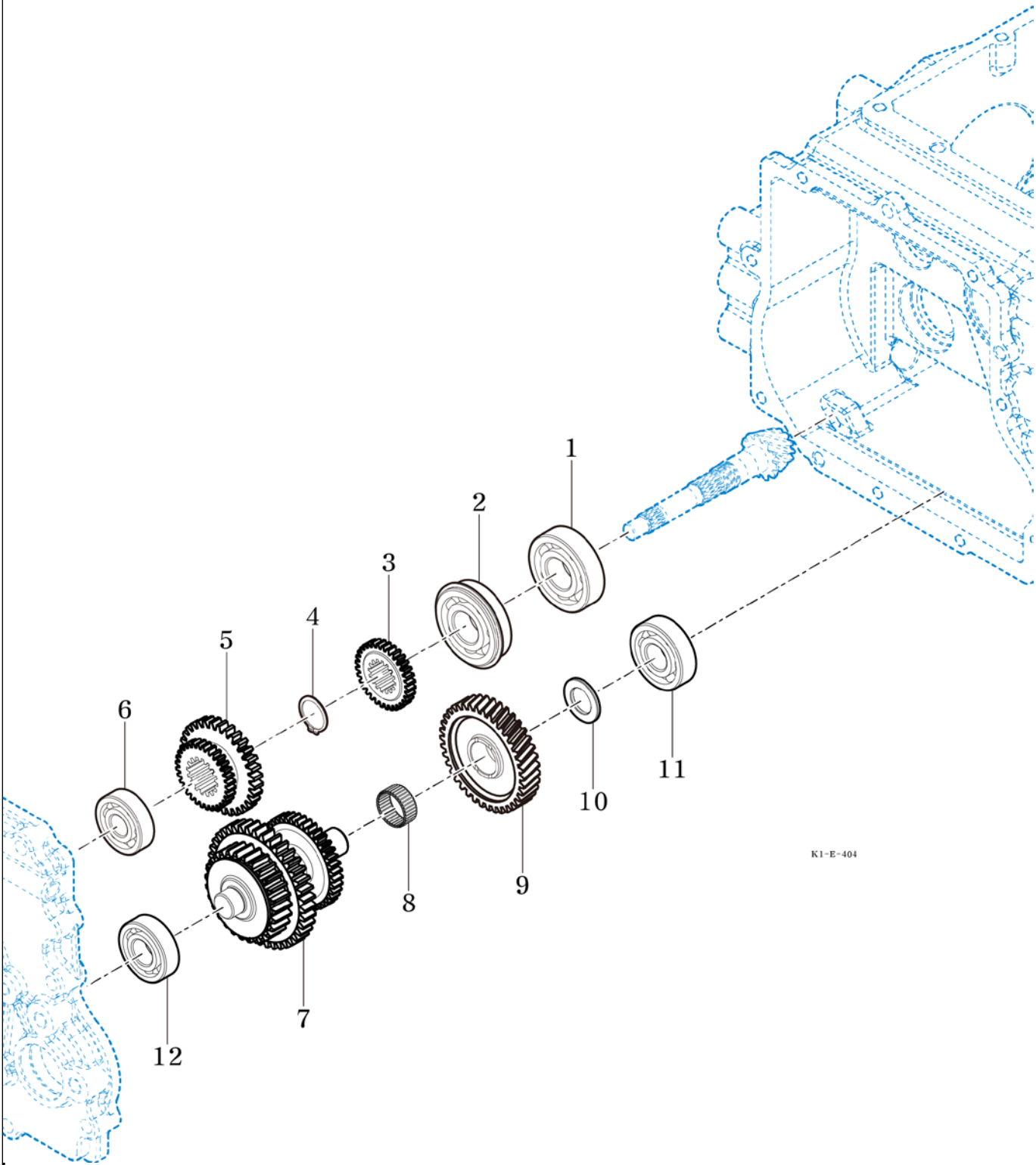
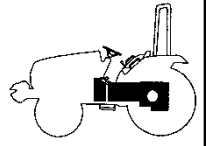
RK24H

RANGE GEAR

P1

YEAR

2017



K1-E-404

NOTE

FIG 405

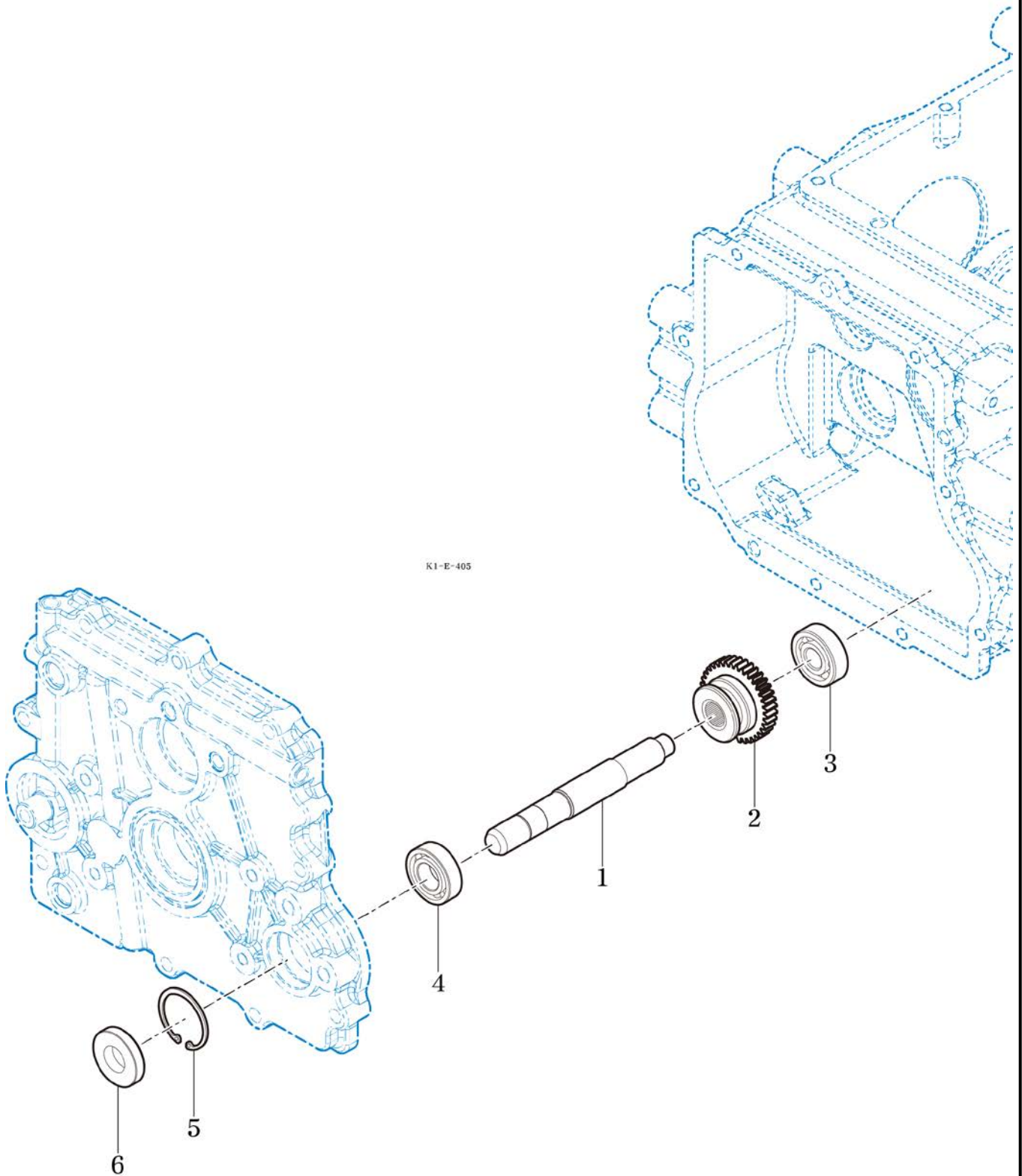
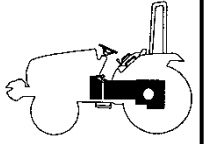
RK24H

4WD DRIVE GEAR

P1

YEAR

2017



NOTE

FIG 406

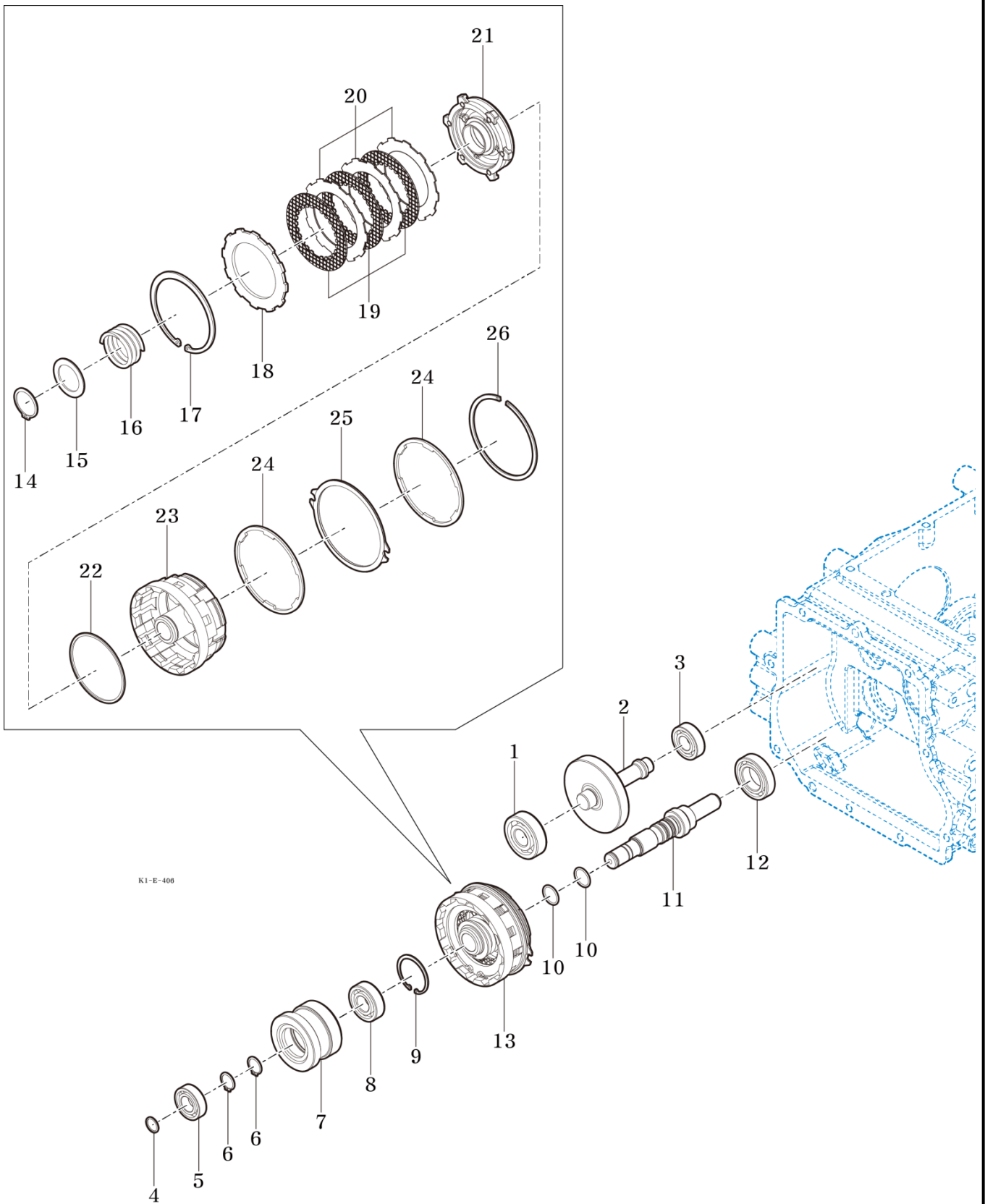
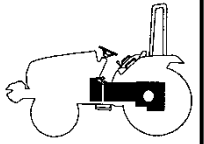
P.T.O DRIVE SHAFT

RK24H

P1

YEAR

2017



NOTE

FIG 407

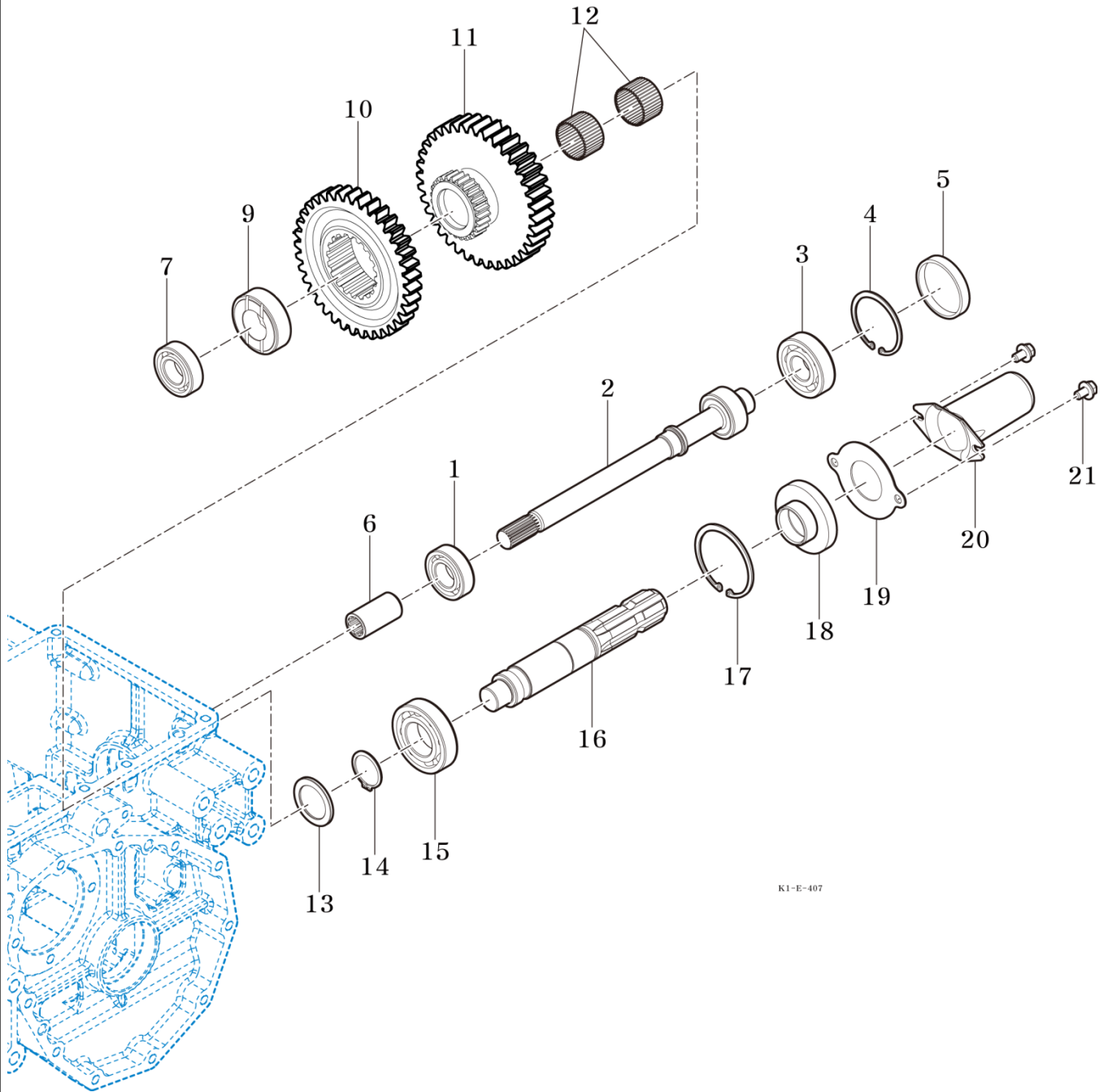
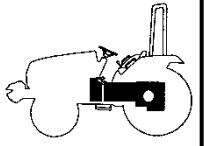
RK24H

P.T.O SHAFT

P1

YEAR

2017



K1-E-407

NOTE

FIG 408

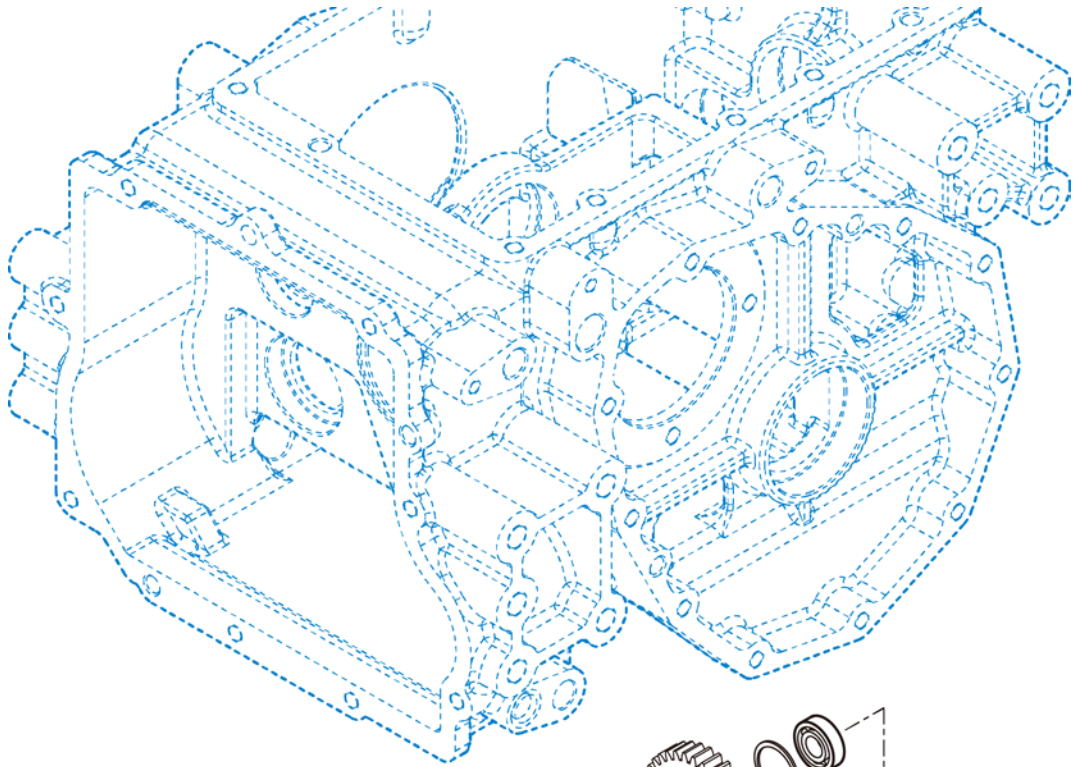
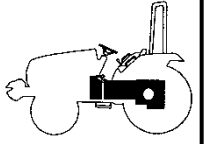
RK24H

MID P.T.O GEAR

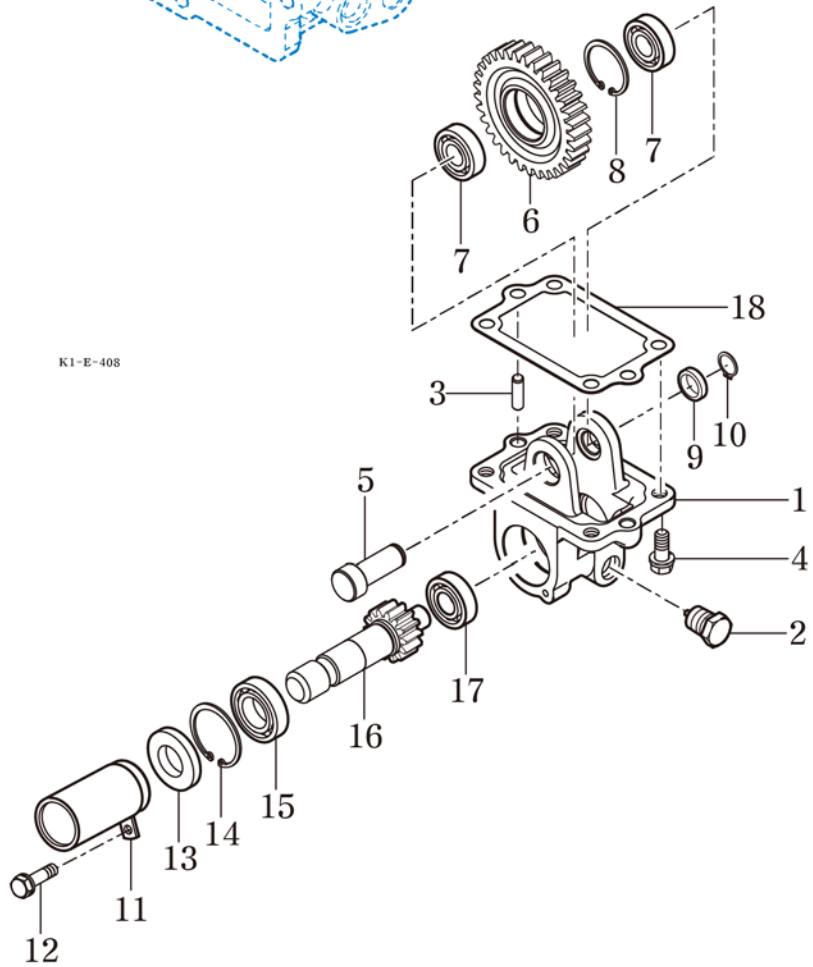
P1

YEAR

2017



K1-E-408



NOTE

FIG 409

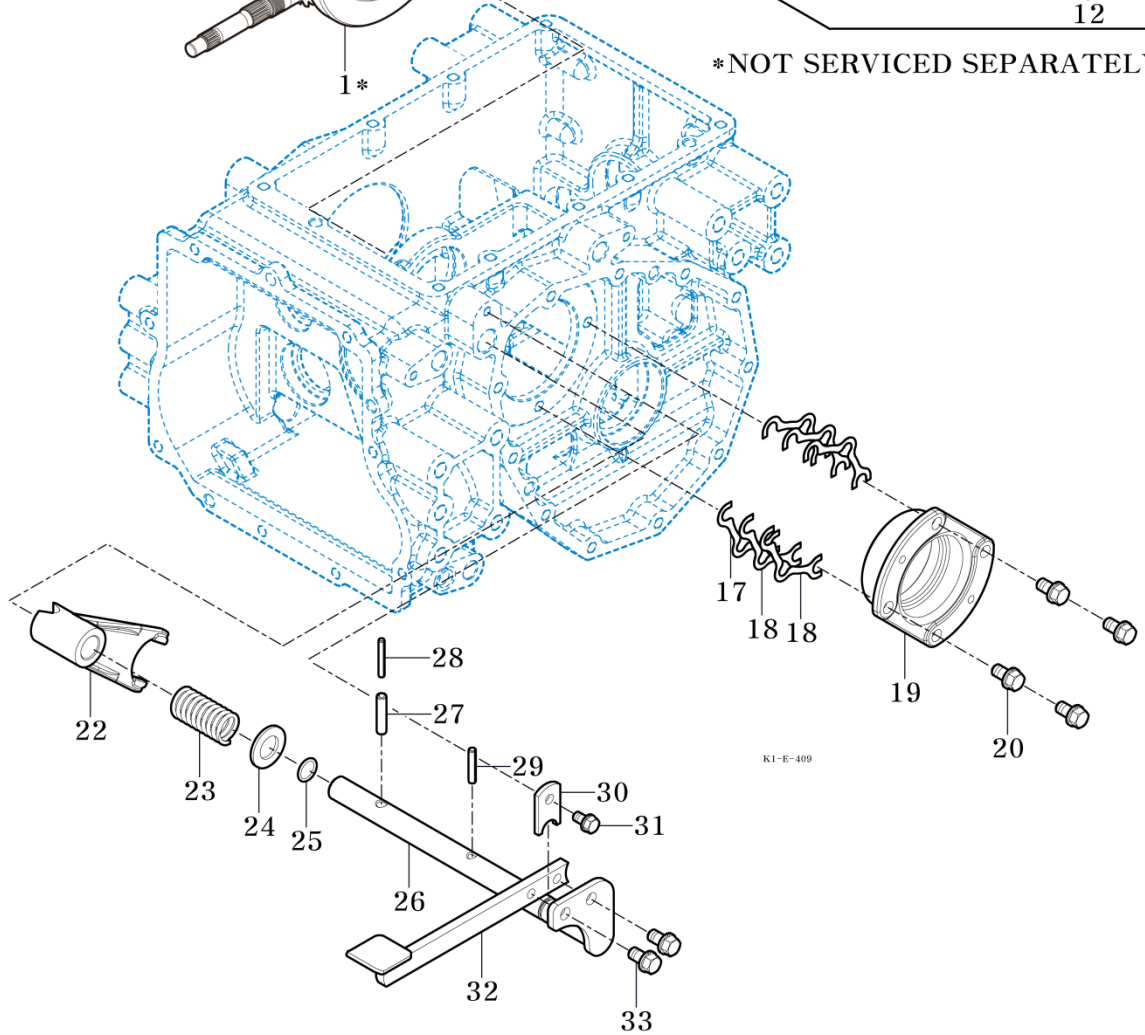
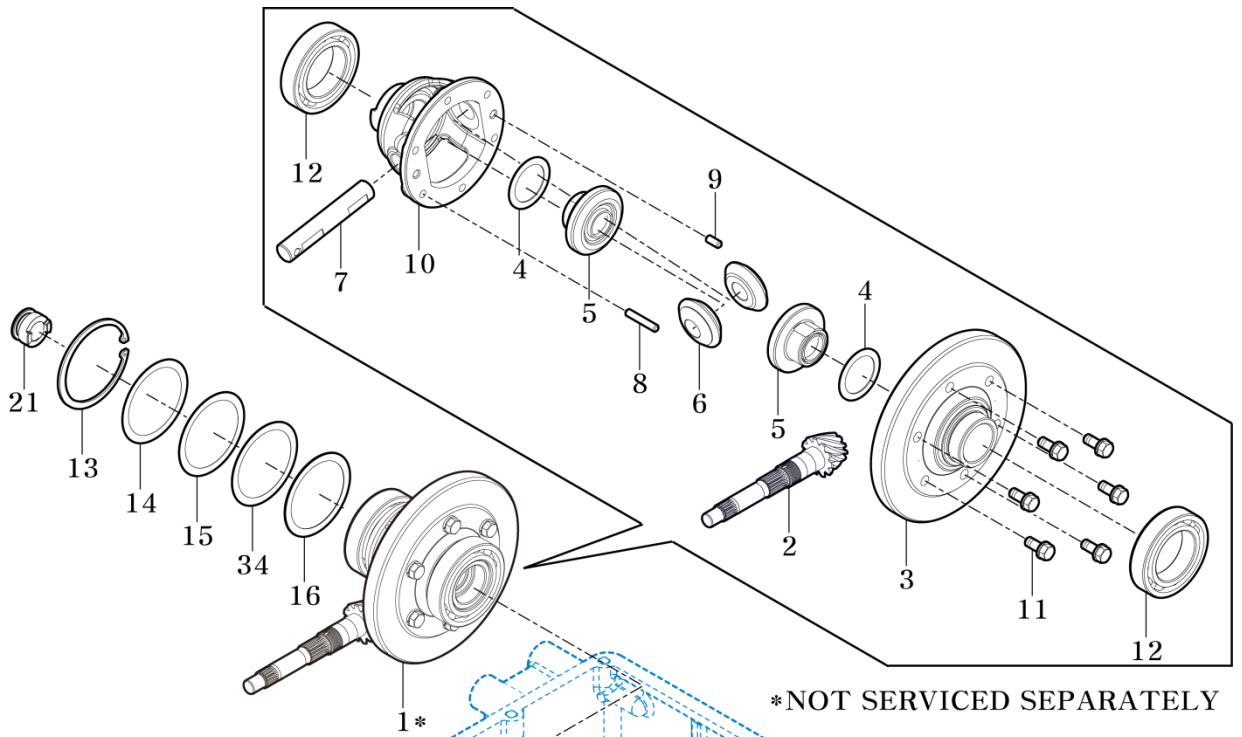
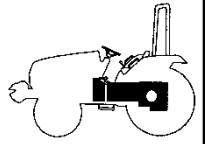
RK24H

DIFF LOCK

P1

YEAR

2017



NOTE

FIG 410

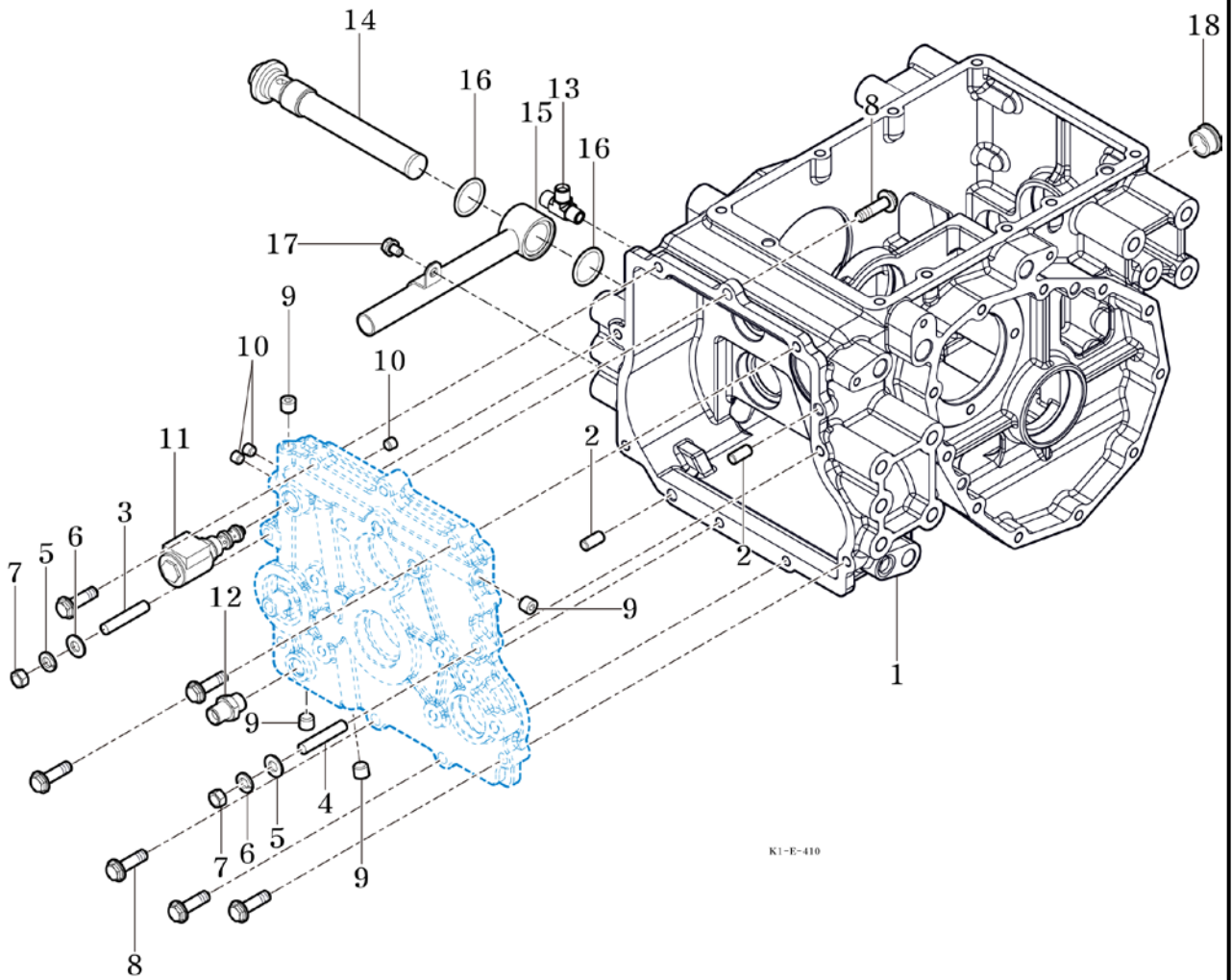
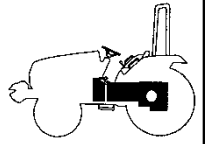
REAR TRANSMISSION CASE

RK24H

P1

YEAR

2017



K1-E-410

NOTE

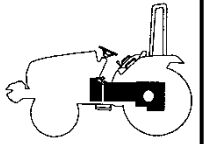
FIG 411

REAR AXLE HOUSING

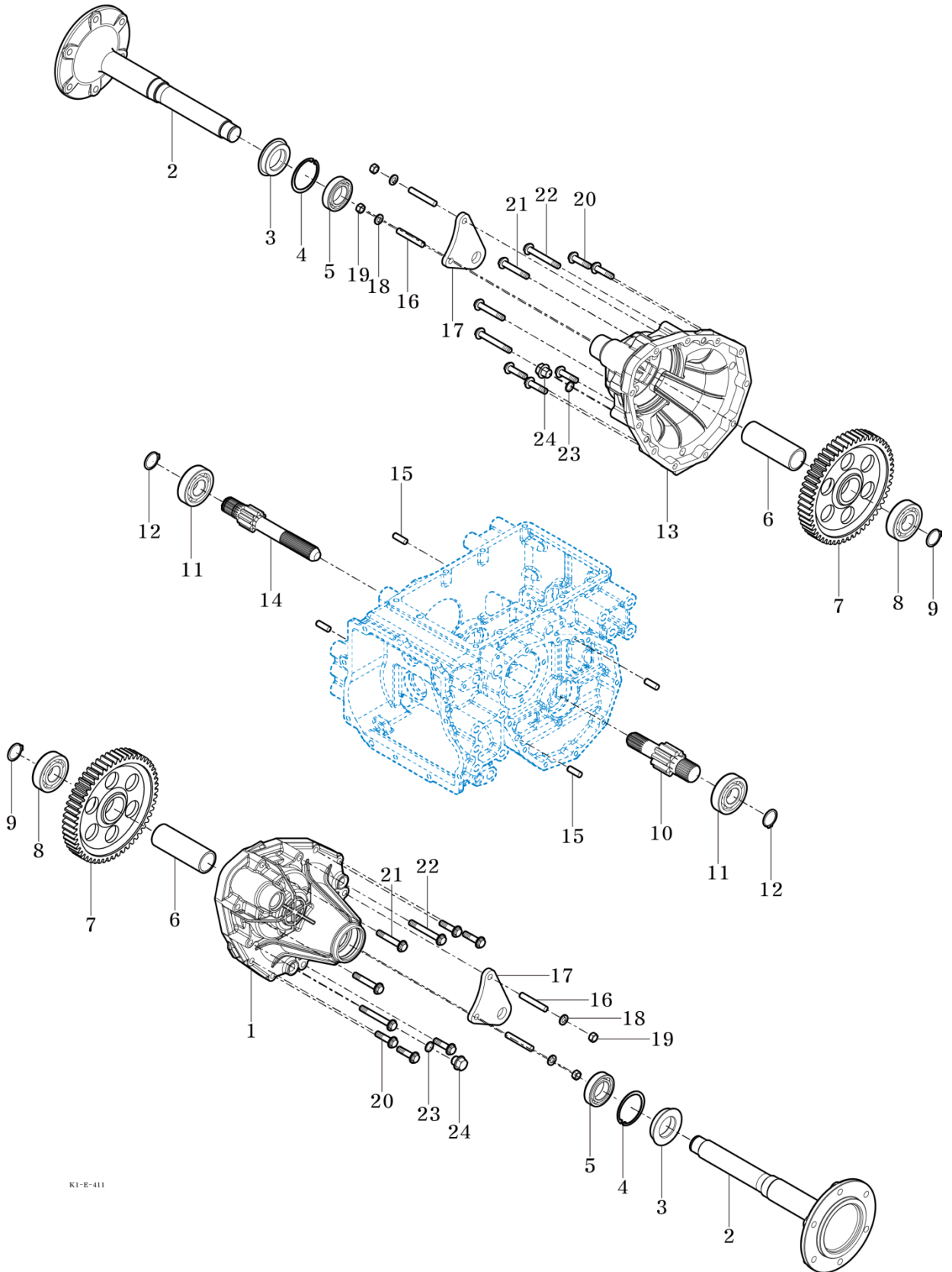
P1

YEAR

2017



RK24H



NOTE

FIG 412

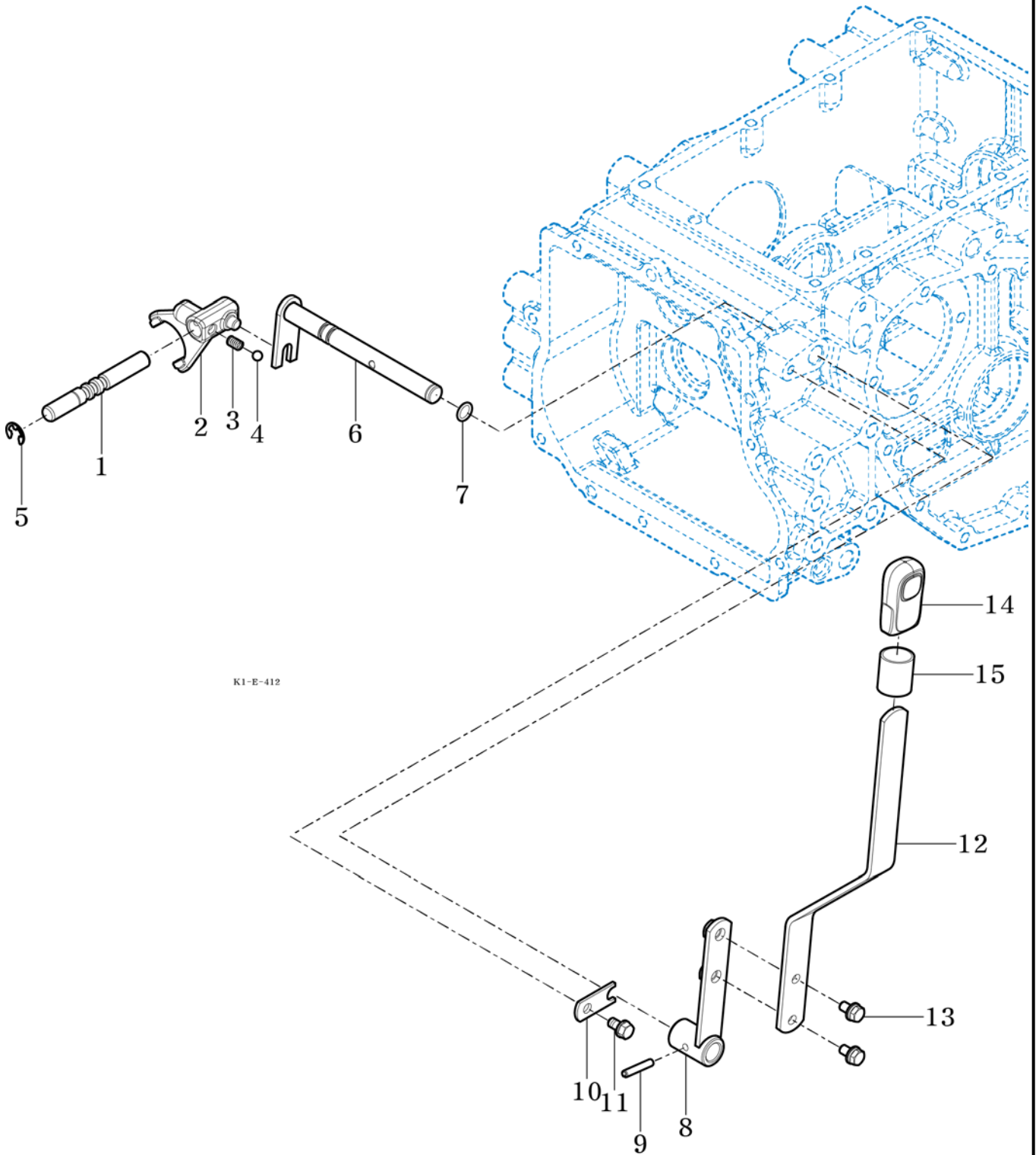
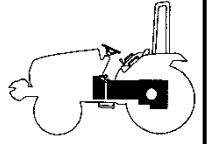
RK24H

RANGE SHIFT LEVER

P1

YEAR

2017



NOTE

FIG 413

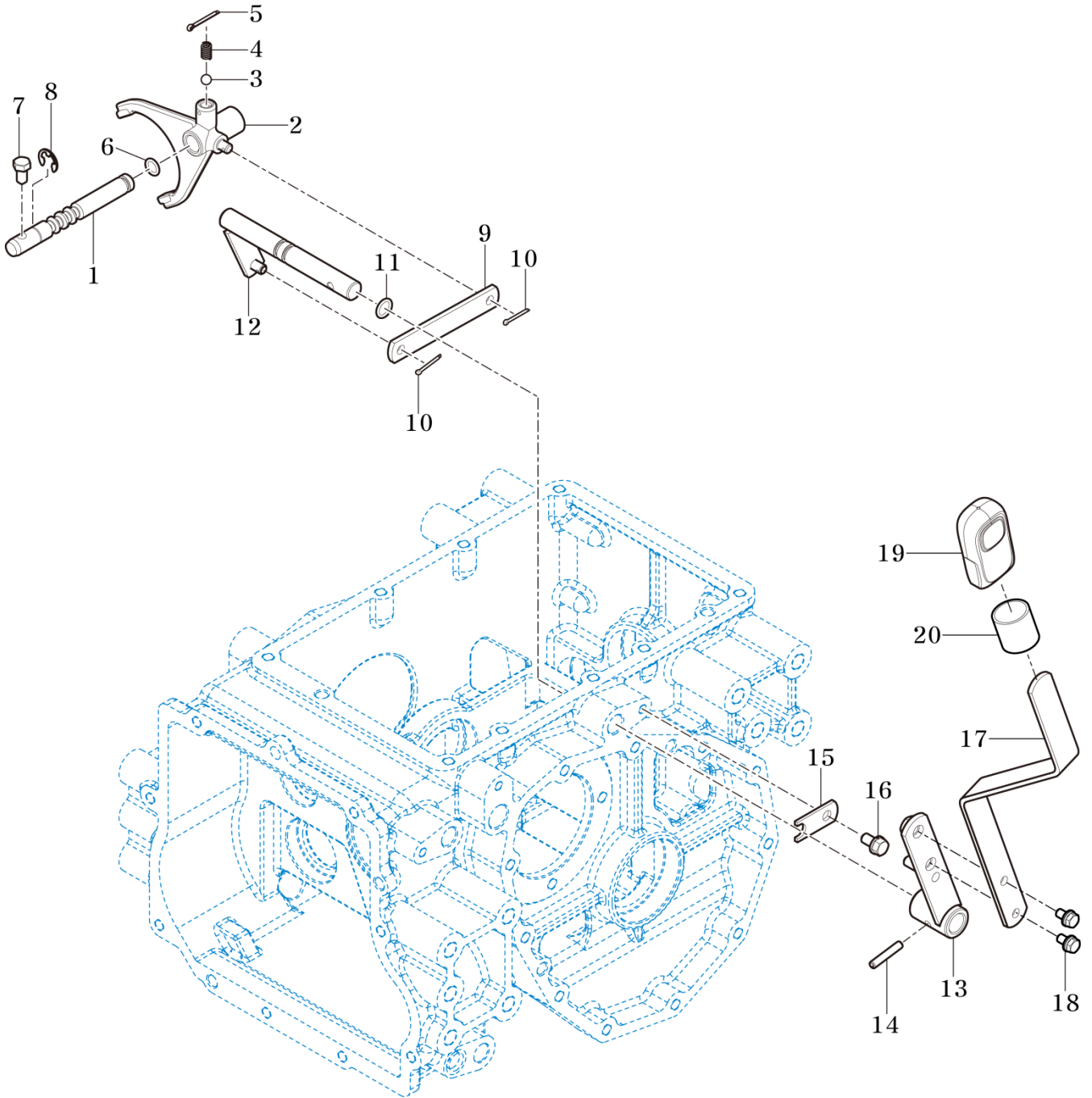
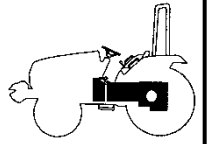
RK24H

P.T.O CHANGE LEVER

P1

YEAR

2017



NOTE

FIG 414

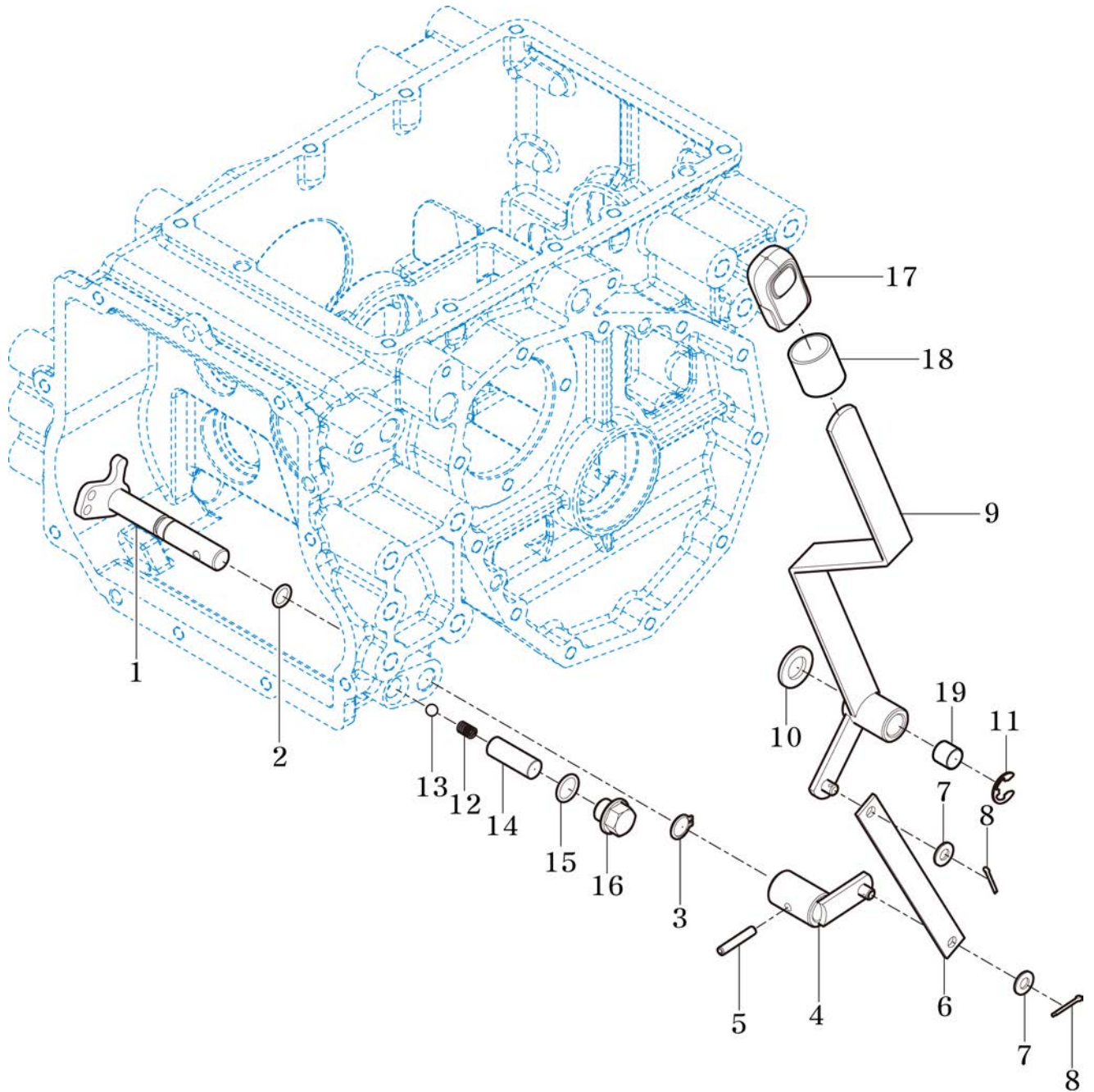
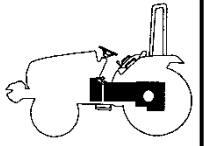
RK24H

4WD CHANGE LEVER

P1

YEAR

2017



NOTE

FIG 415

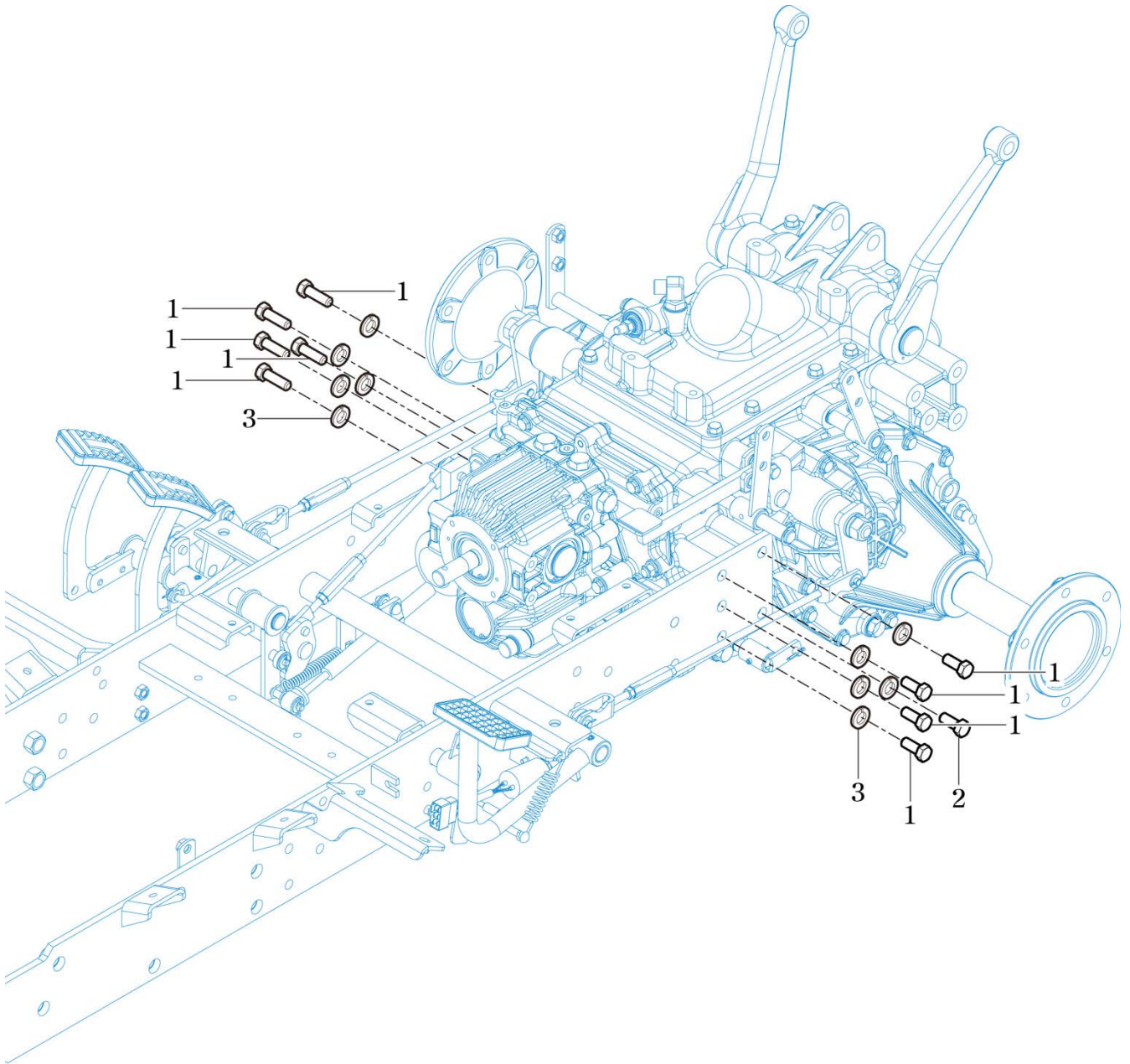
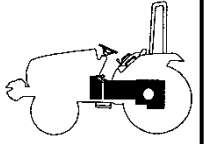
TRANSMISSION MOUNTING

RK24H

P1

YEAR

2017



NOTE

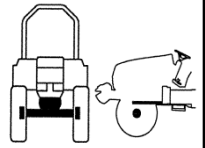
FIG 501

FRONT DRIVE SHAFT

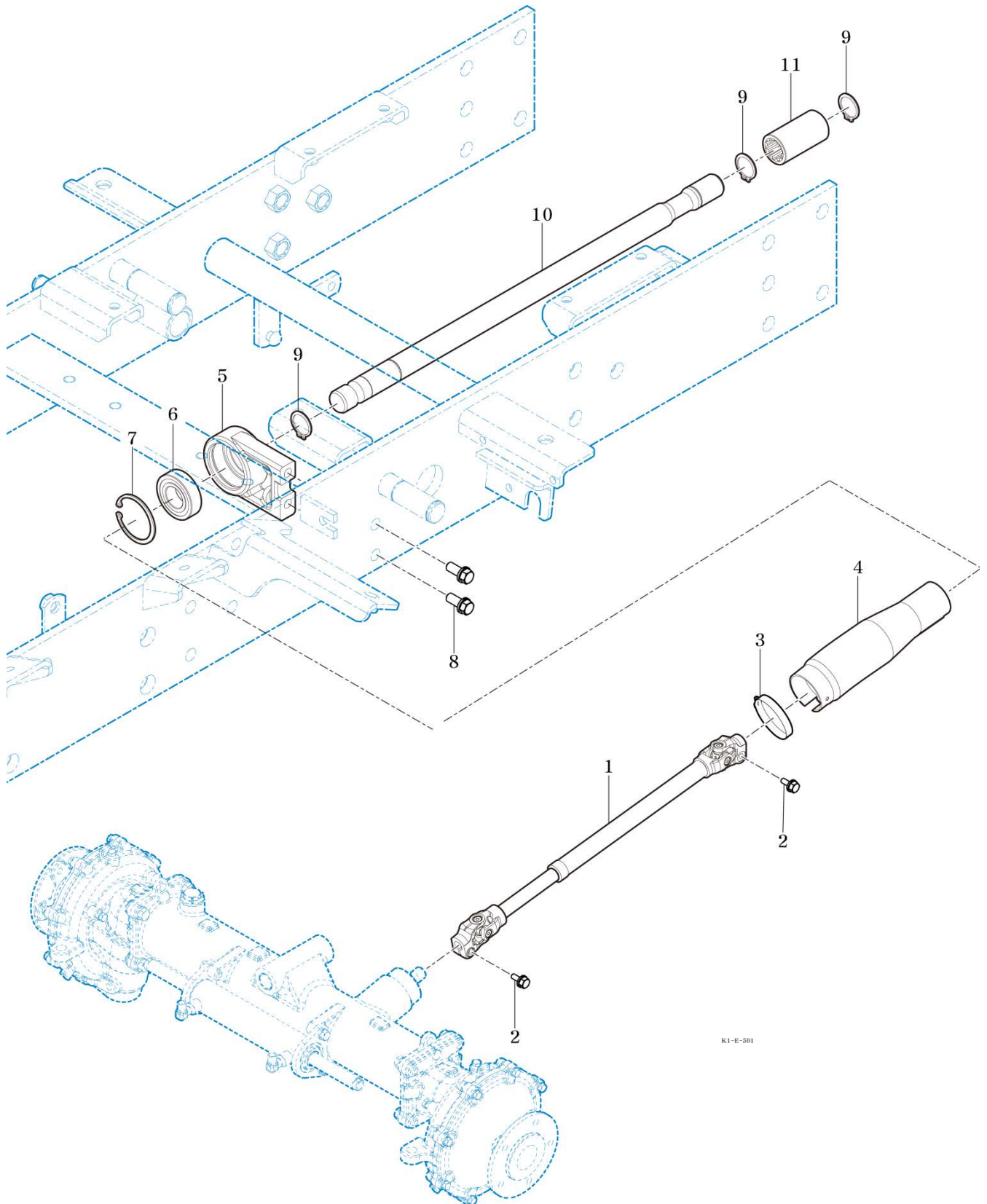
P1

YEAR

2017



RK24H



K1-E-501

NOTE

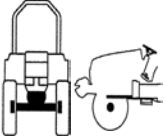
FIG 501 RK24H		FRONT DRIVE SHAFT			P2	YEAR	
						2017	
KEY NO.	PART NO.	DESCRIPTION	SPEC.	QTY.	REPAIR	EFFECTIVE DATE	REMARKS
501	001	11104102001GB	4WD JOINT COMP				
501	002	V2173608035	BOLT , HEX/S				
			M8X35	2			
501	003	14885050150	CLIP , HOSE				
				1			
501	004	11104200010	4WD COVER				
				1			
501	005	11104101010M	SUPPORT , 4WD				
				1			
501	006	V6001306004	BEARING , BALL				
			6004ZZ	1			
501	007	V7051400420	C-RING , HOLE				
			42	1			
501	008	V2173610025	BOLT , HEX/S				
			M10X25	2			
501	009	V7041400200	C-RING , SHAFT				
			20	3			
501	010	11104100010	SHAFT , 4WD				
				1			
501	011	14211340190	COUPLING				
				1			
NOTE							

FIG 502

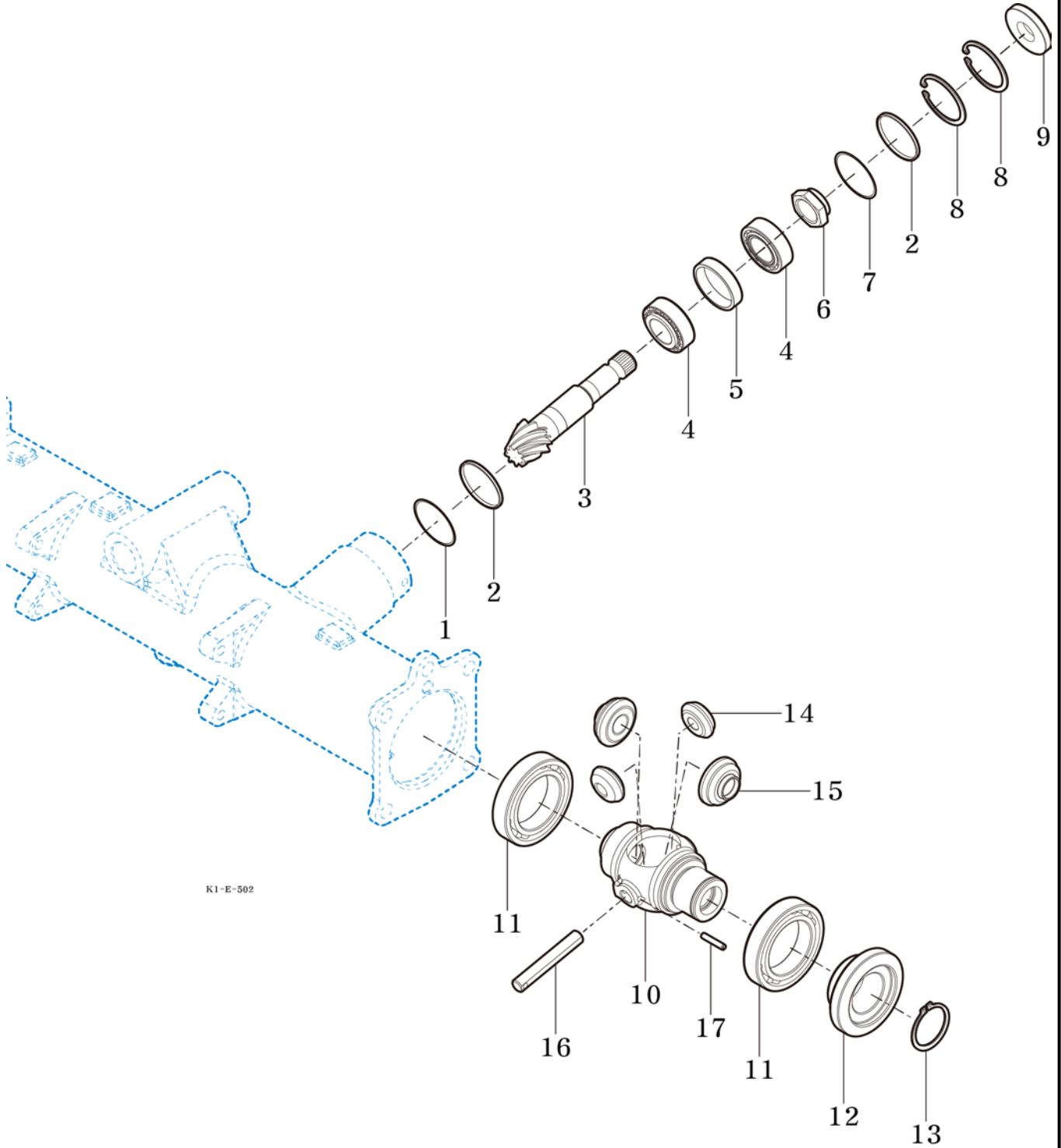
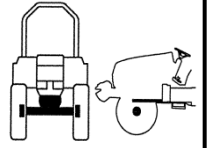
FRONT DIFFERENTIAL GEAR

RK24H

P1

YEAR

2017



K1-E-502

NOTE

FIG 503

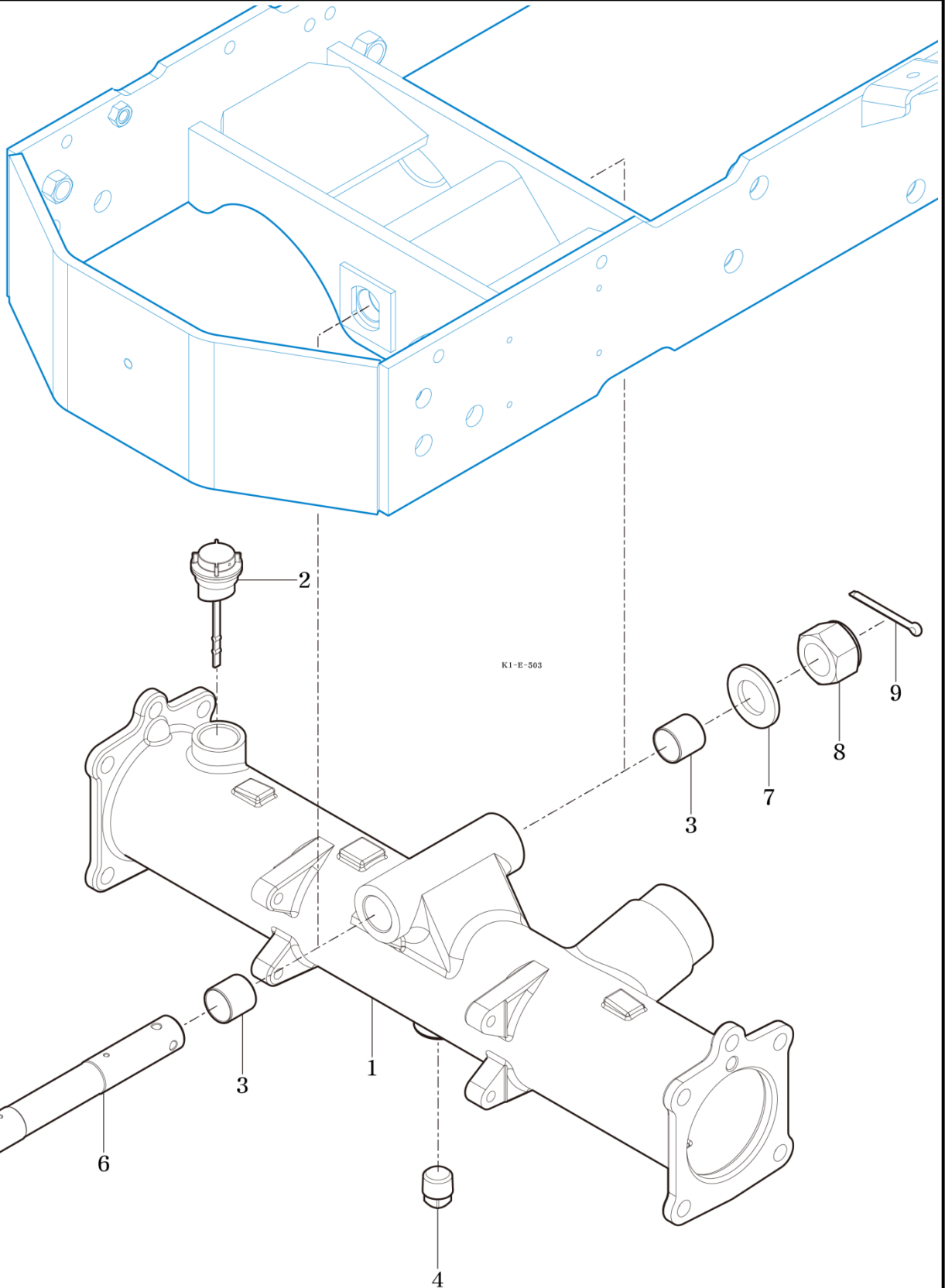
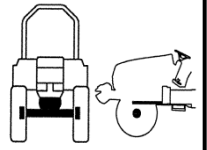
FRONT AXLE HOUSING

RK24H

P1

YEAR

2017



NOTE

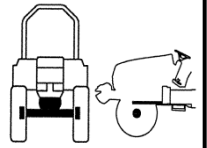
FIG 504

FRONT GEAR CASE (1)

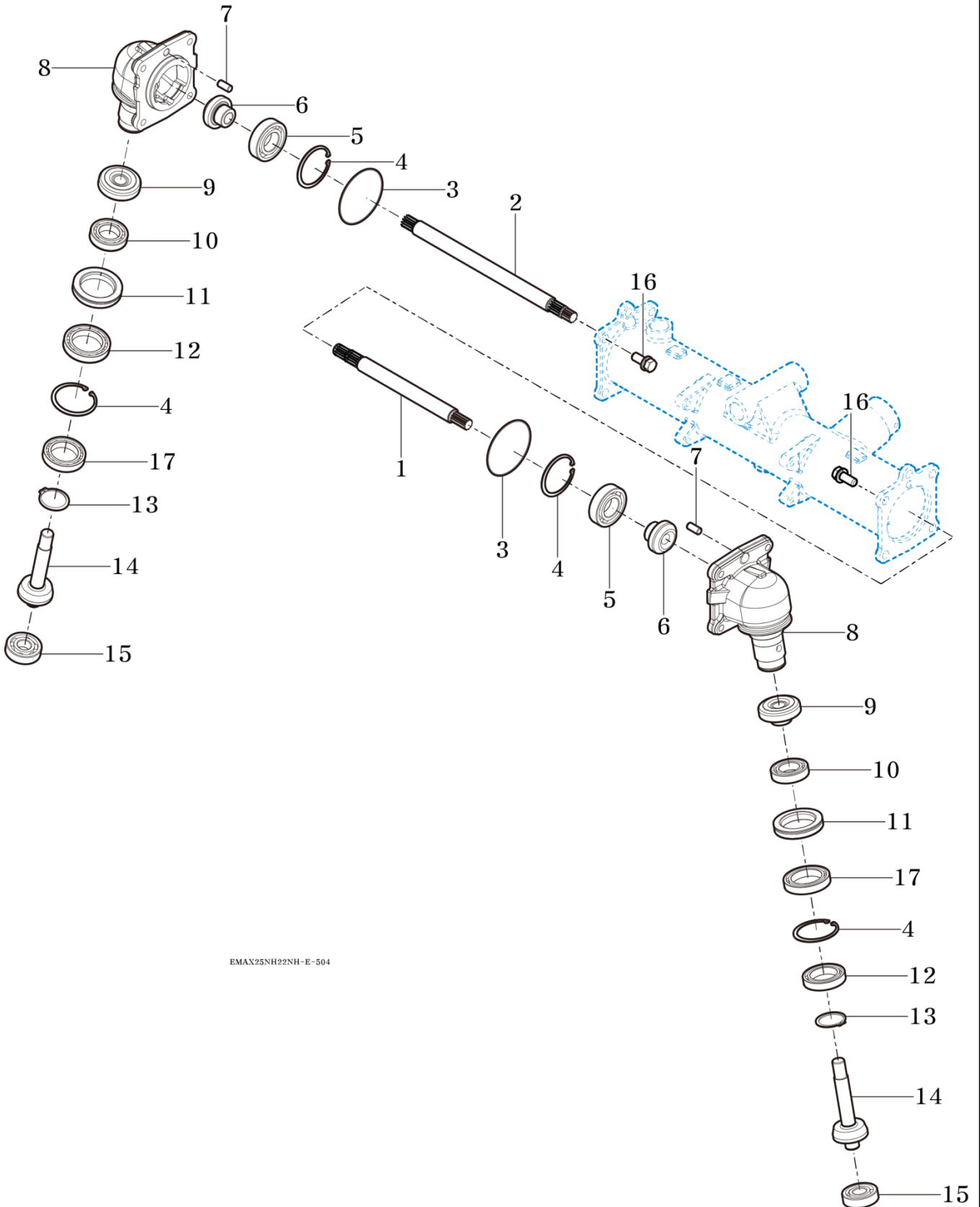
P1

YEAR

2017



RK24H



EMAX25NH22NH-E-504

NOTE

FIG 505

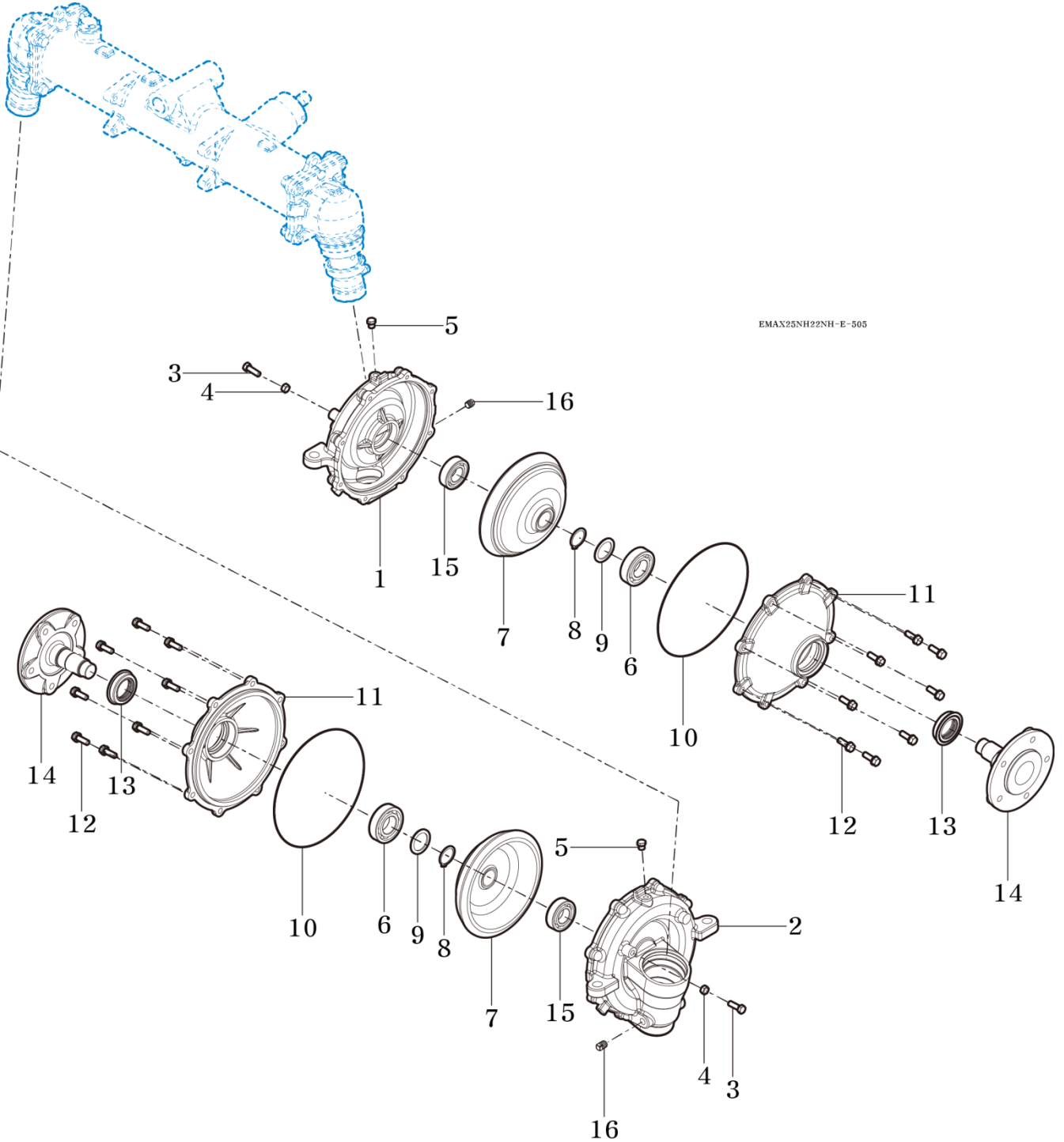
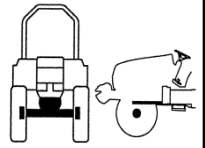
FRONT GEAR CASE (2)

RK24H

P1

YEAR

2017



NOTE

FIG 601

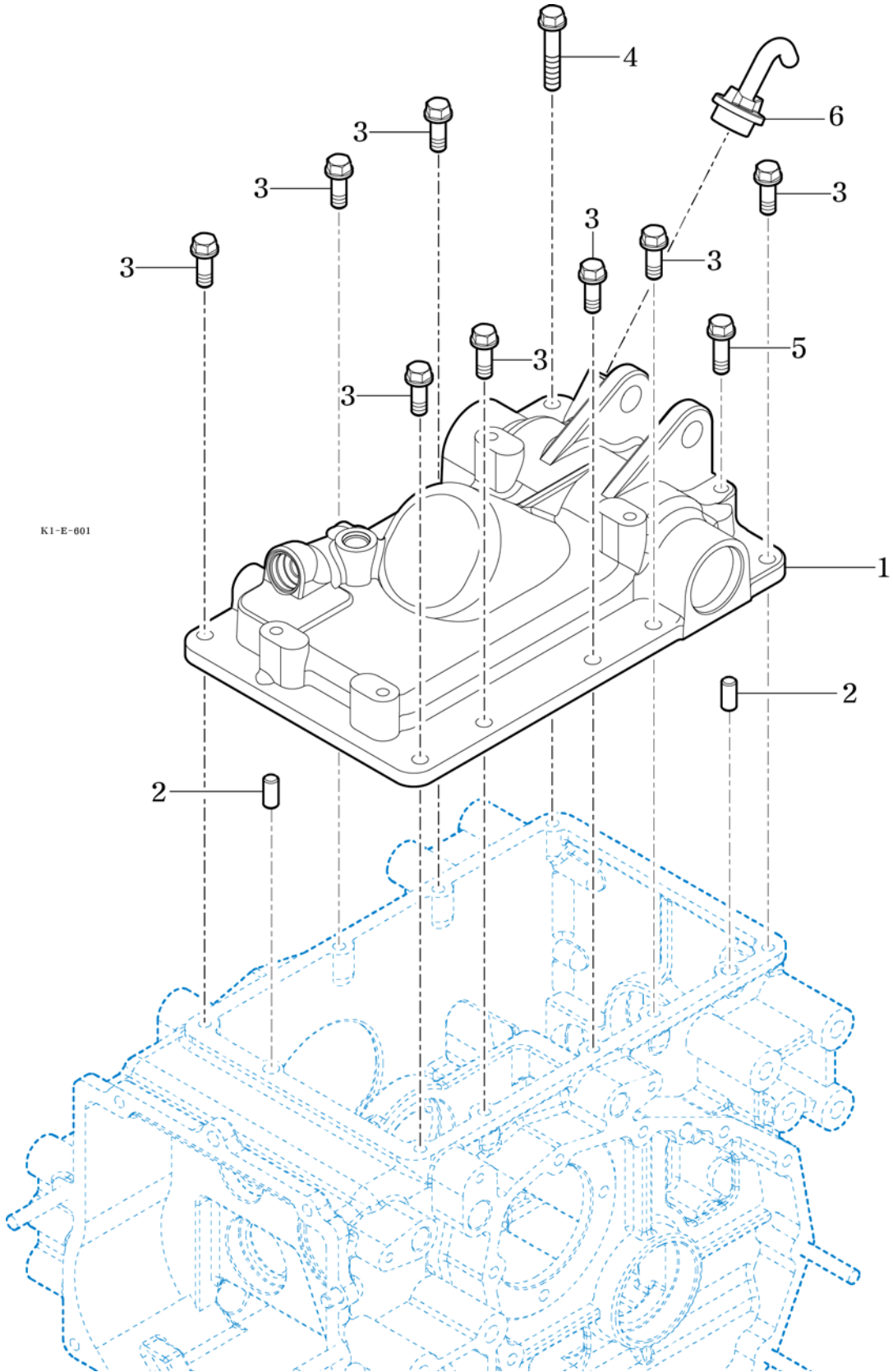
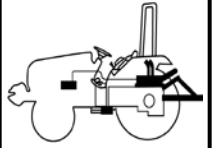
RK24H

CYLINDER CASE

P1

YEAR

2017



NOTE

FIG 602

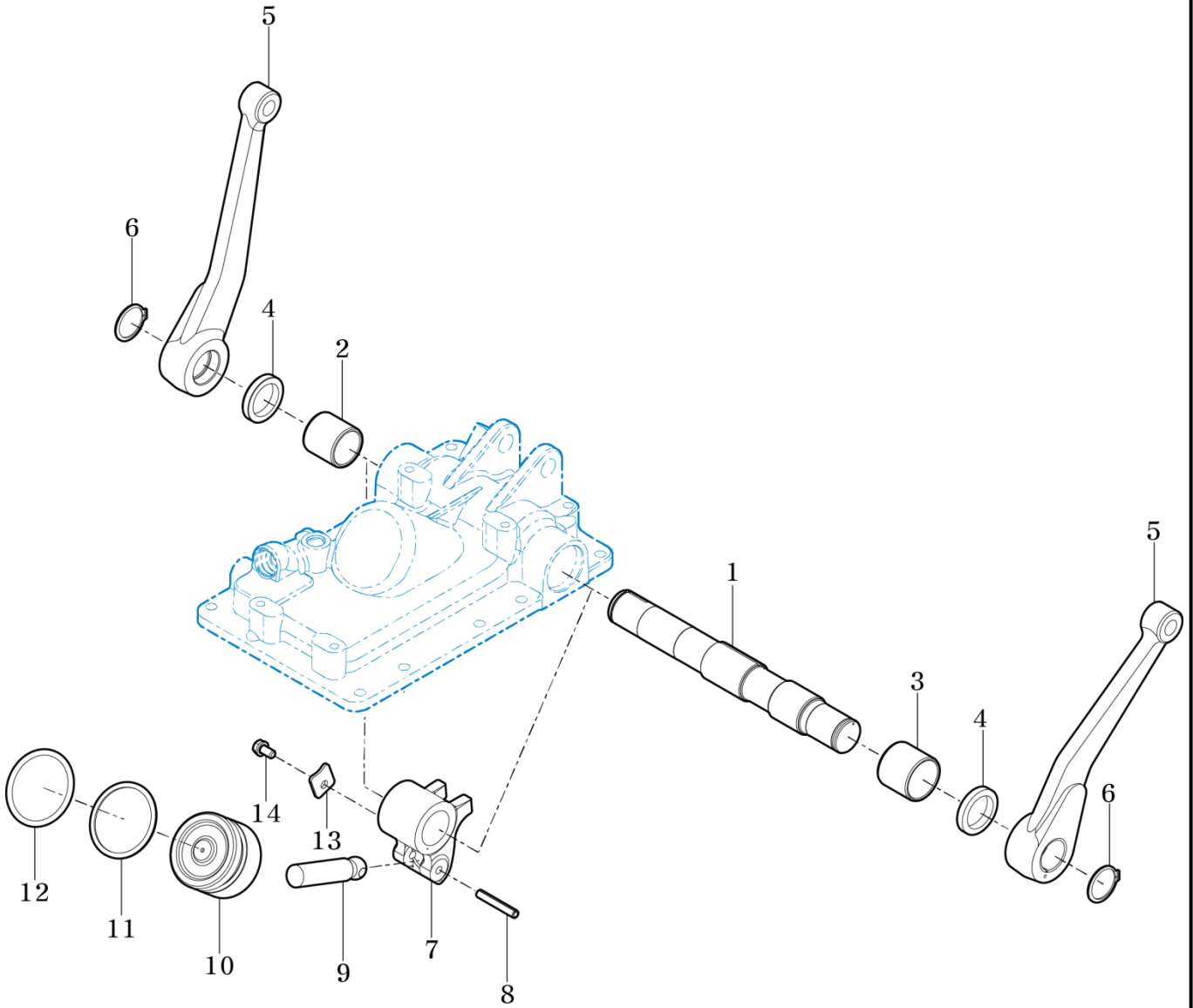
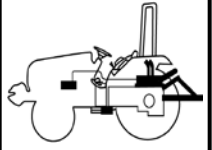
RK24H

LIFT ARM

P1

YEAR

2017



NOTE

FIG 603

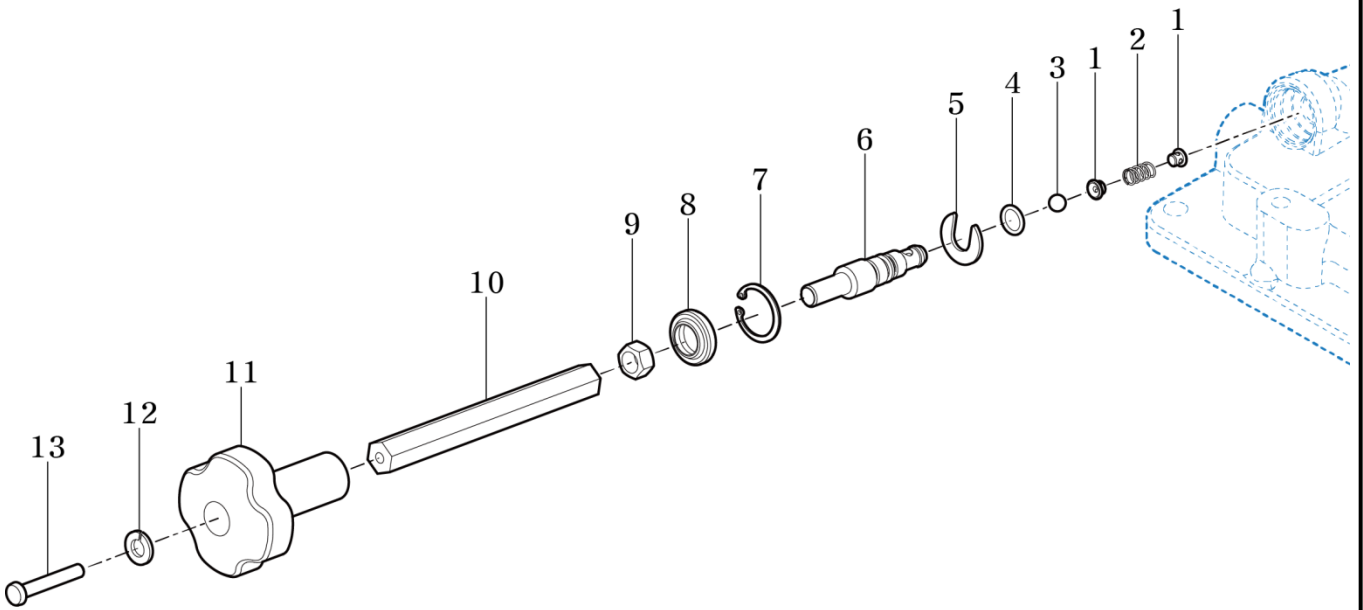
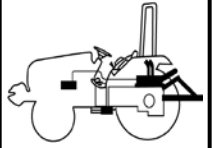
RK24H

FLOW CONTROL VALVE

P1

YEAR

2017



EMAX22G-E-603

NOTE

FIG 604

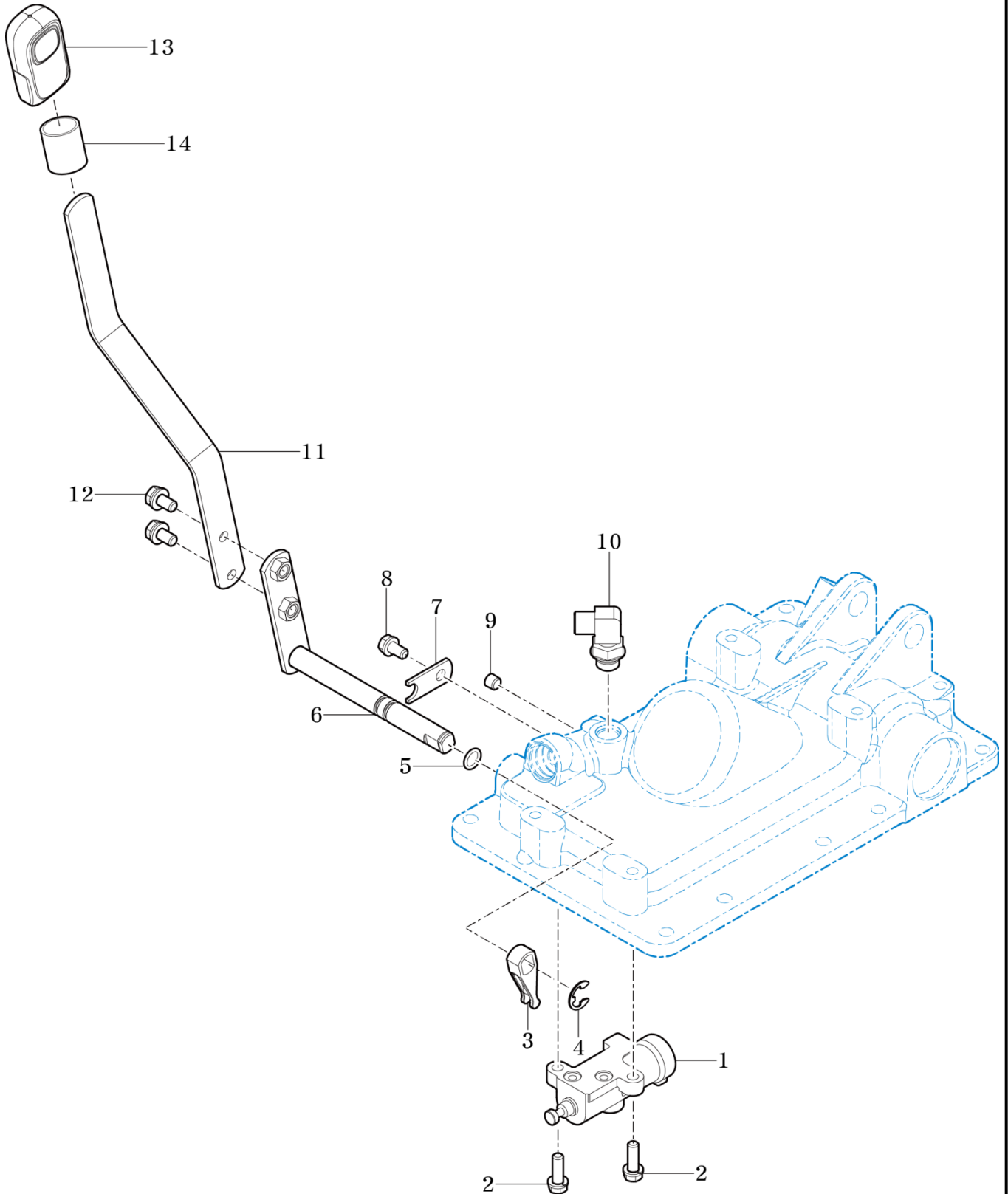
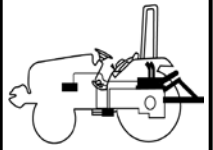
RK24H

MAIN CONTROL VALVE

P1

YEAR

2017



NOTE

FIG 605

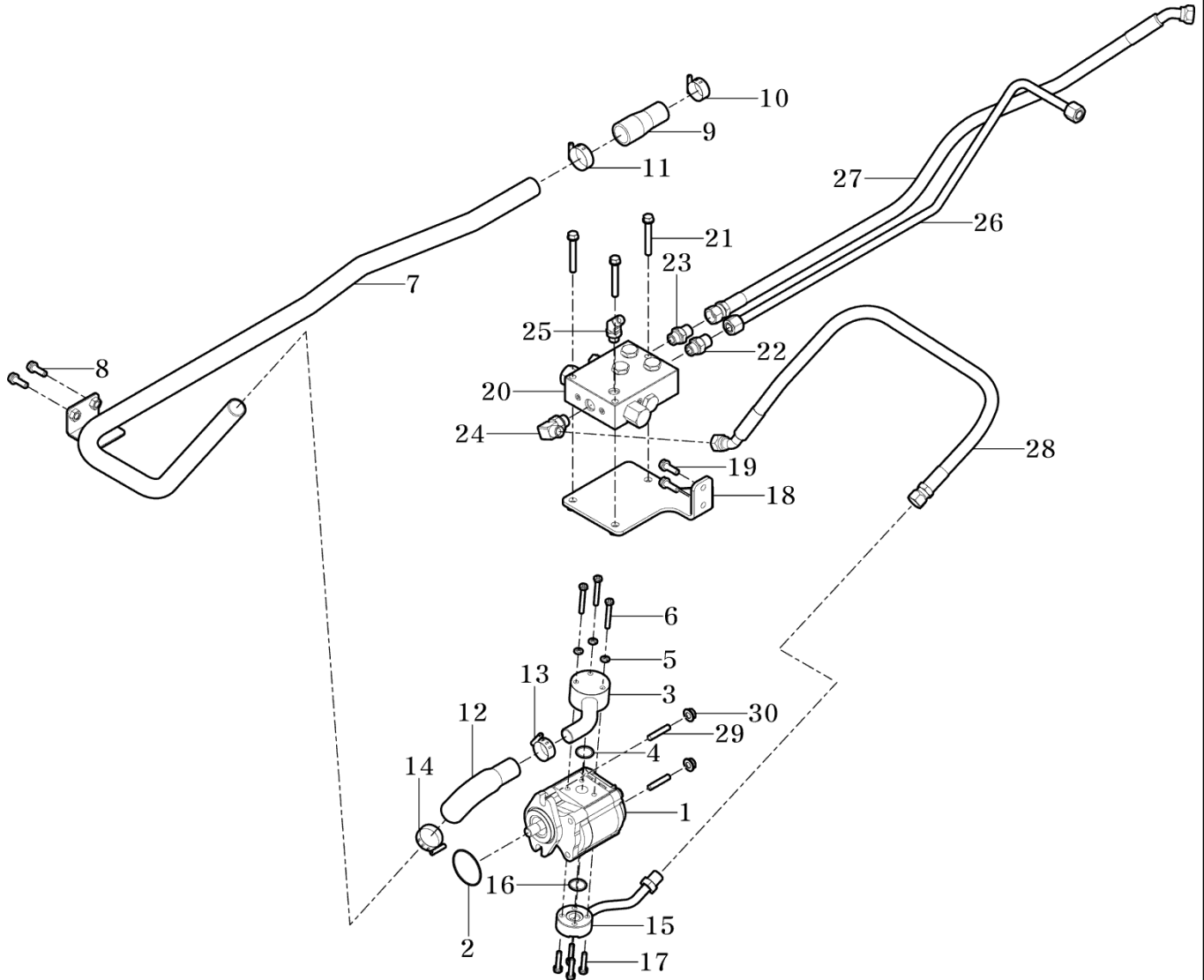
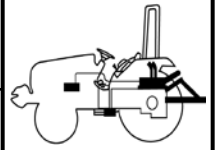
RK24H

HYDRAULIC SUB

P1

YEAR

2017



NOTE

FIG 606

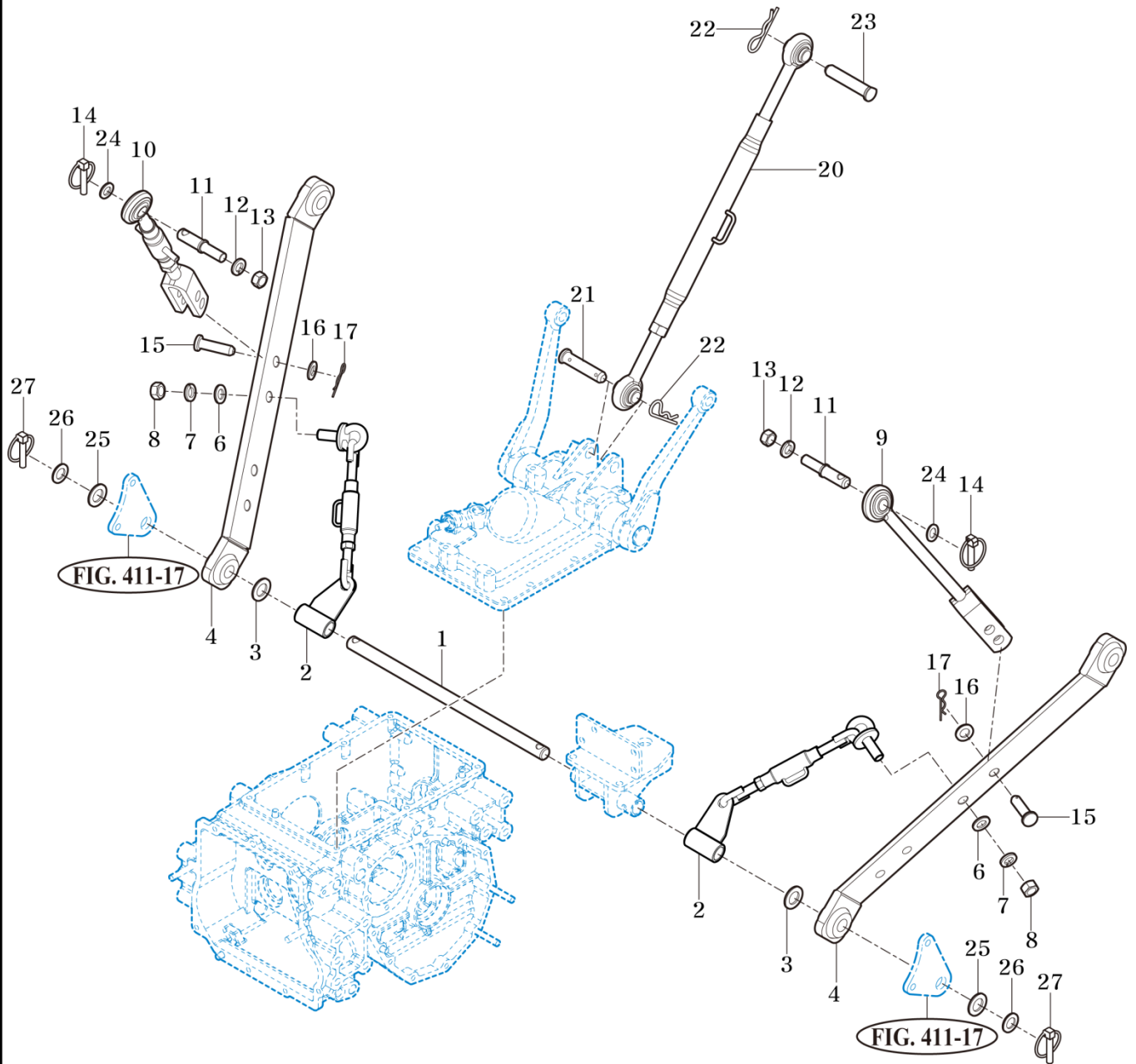
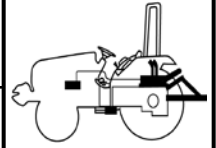
RK24H

HITCH & 3-POINT LINKAGE

P1

YEAR

2017



NOTE

FIG 607

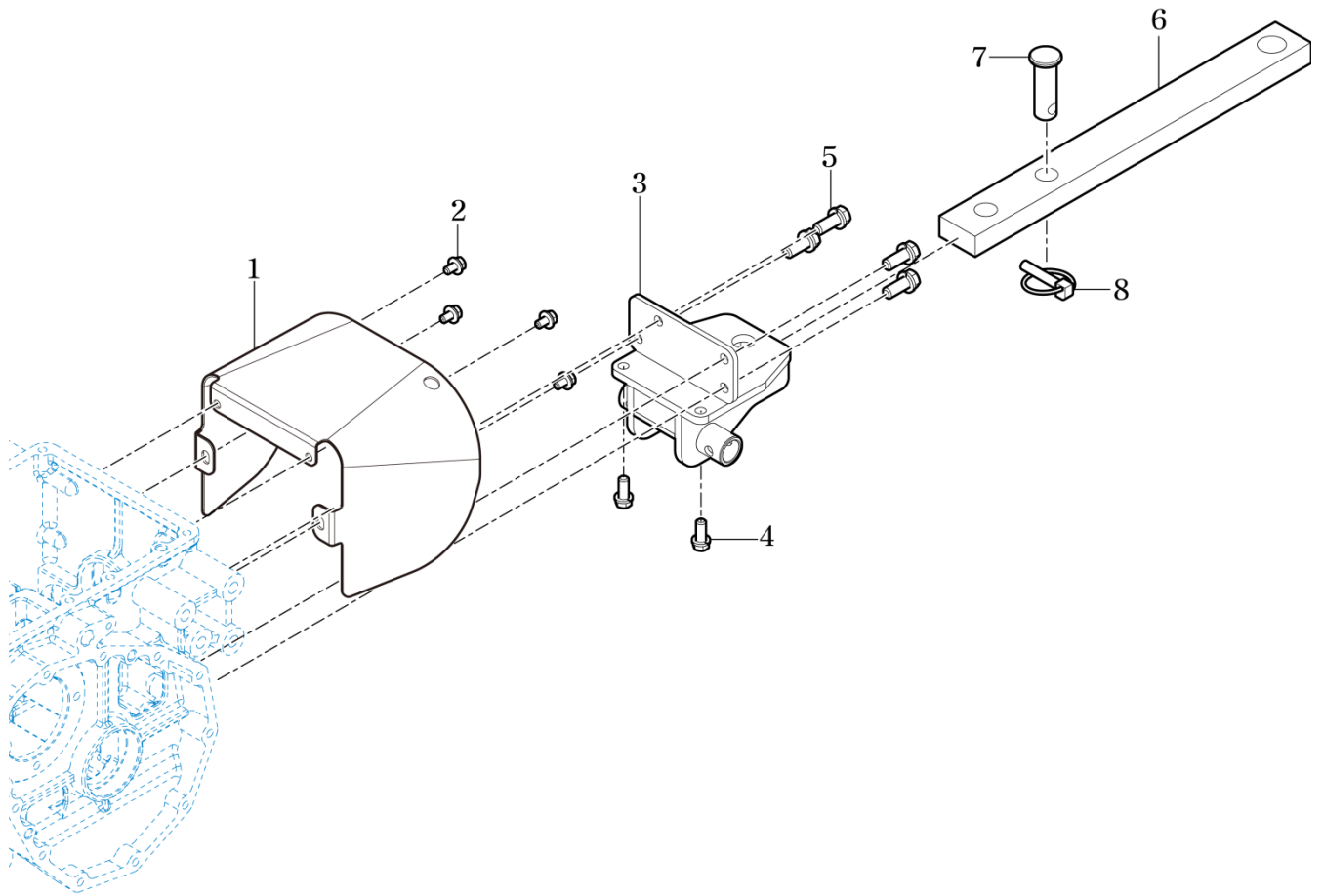
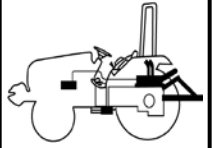
RK24H

HITCH & COVER

P1

YEAR

2017



NOTE

FIG 701

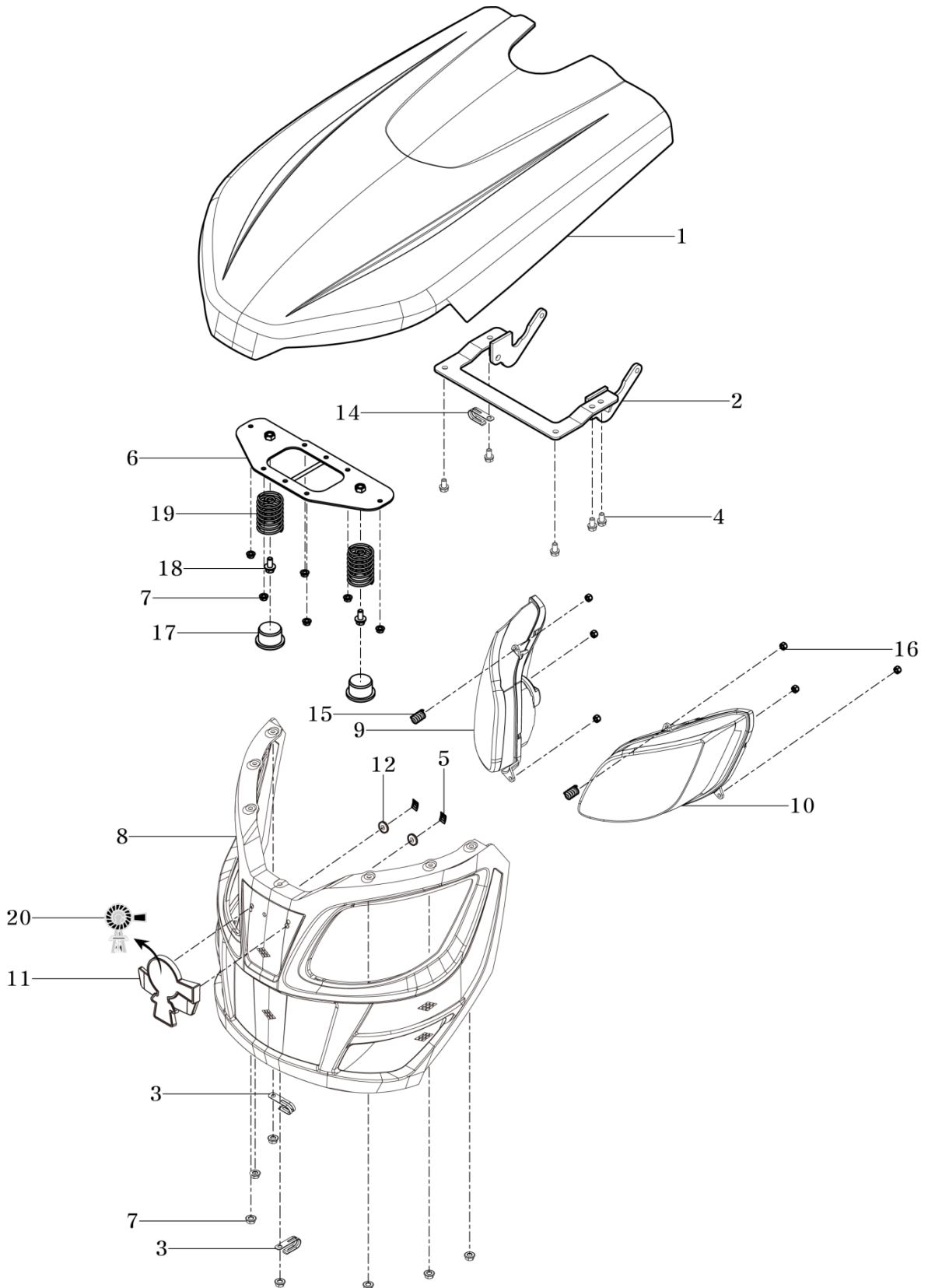
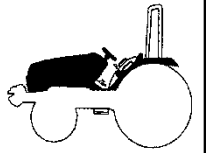
RK24H

BONNET (~2018.12.09)

P1

YEAR

2017



NOTE

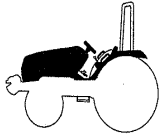
FIG 701		BONNET (~2018.12.09)			P1	YEAR	
RK24H						2017	
KEY NO.	PART NO.	DESCRIPTION	SPEC.	QTY.	REPAIR	EFFECTIVE DATE	REMARKS
701	001	11106012200KR	HOOD COMP		1	-2018.12.09	
701	002	11106017500GB	HINGE COMP , HOOD		1	-2018.12.09	
701	003	37371720090	CLAMP , W/HARNES		2	-2018.12.09	
701	004	V2173608016	BOLT , HEX/S	M8X16	5	-2018.12.09	
701	005	V3501600060	NUT , PUSH-ON SPRING	M6	2	-2018.12.09	
701	006	11106017301GB	BRACKET COMP , FR/HOOD		1	-2018.12.09	
701	007	V3802600060	NUT , HEX FLANGE	M6	7	-2018.12.09	
701	008	11116012400GB	GRILLE COMP		1	-2018.12.09	
701	009	17406525000	HEAD LAMP ASSY , RH		1	-2018.12.09	
701	010	17406524000	HEAD LAMP ASSY , LH		1	-2018.12.09	
701	011	10519010110	EMBLEM , BASE/RK24		1	-2018.12.09	
701	012	14446010150	WASHER , NET		2	-2018.12.09	
701	014	14256210040	CLAMP , 9		1	-2018.12.09	
701	015	36108010080	SPRING , ENTRANCE FOR SEED(HC016)		2	-2018.12.09	
701	016	19027210060	NUT , NYLON , M6		6	-2018.12.09	
701	017	14726110301	CUSHION , RUBBER		2	-2018.12.09	
701	018	V2183608020	BOLT , HEX/SP	M8X20	2	-2018.12.09	
701	019	14726010031	SPRING , HOOD CUSHION		2	-2018.12.09	
701	020	10519010010	EMBLEM WINDMILL		1	-2018.12.09	
NOTE							

FIG 701

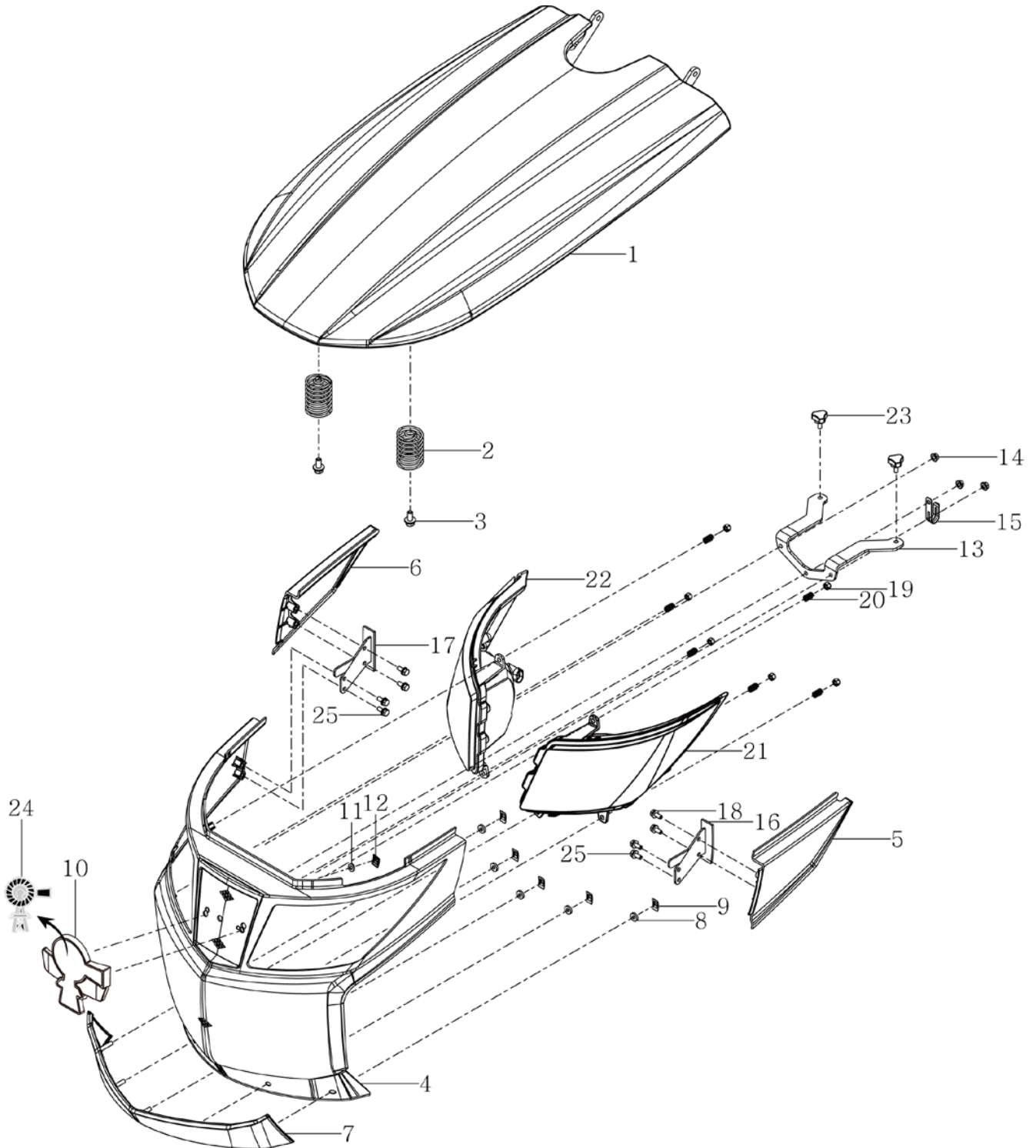
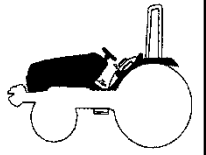
RK24H

BONNET
(2018.12.10~)

P2

YEAR

2017



NOTE

FIG 701

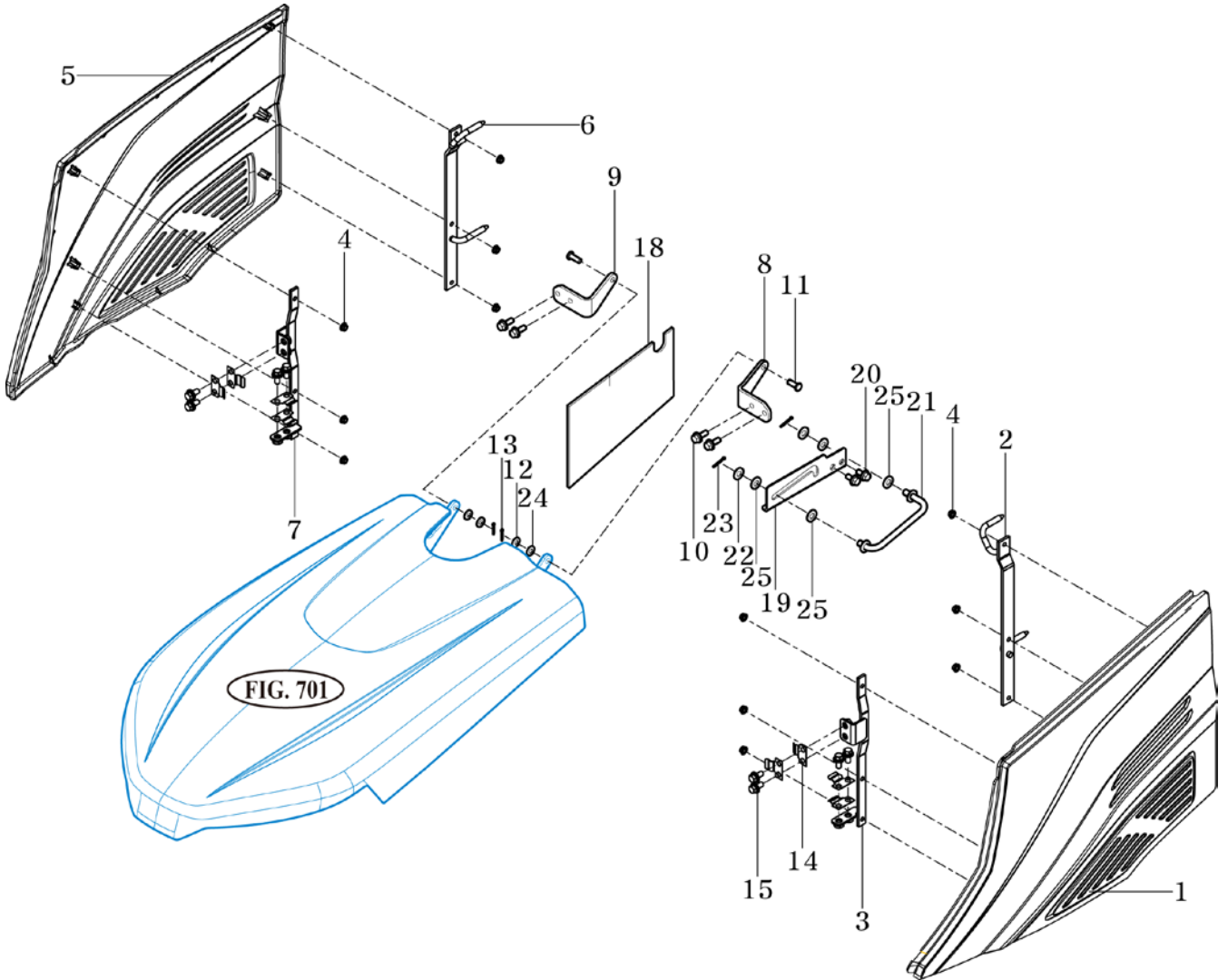
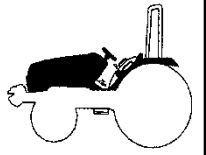
RK24H

BONNET (~2018.12.09)

P3

YEAR

2017



NOTE

FIG 701

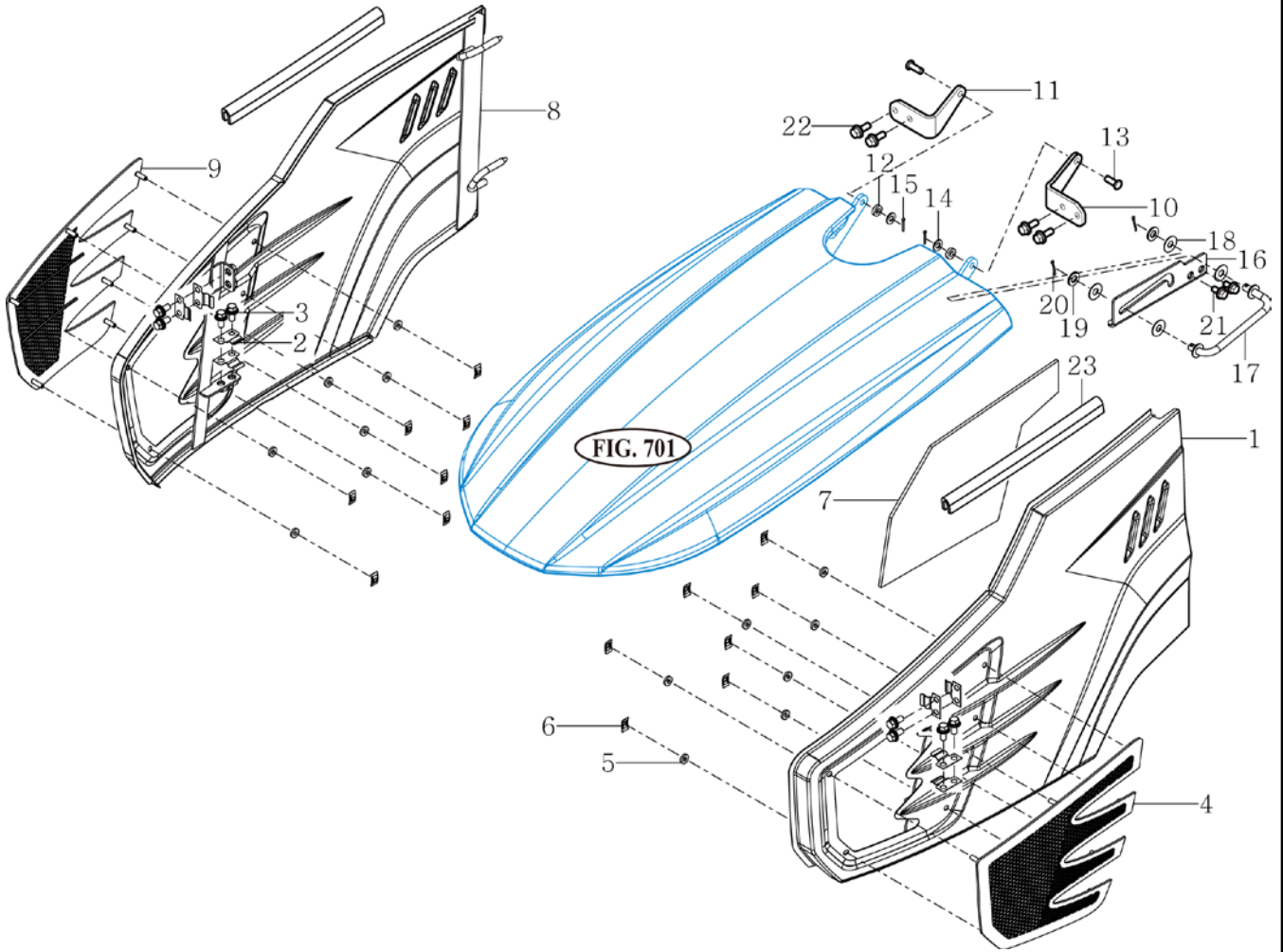
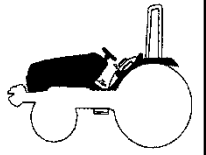
RK24H

BONNET
(2018.12.10~)

P4

YEAR

2017



NOTE

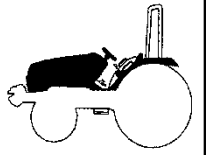
FIG 702

FLOOR

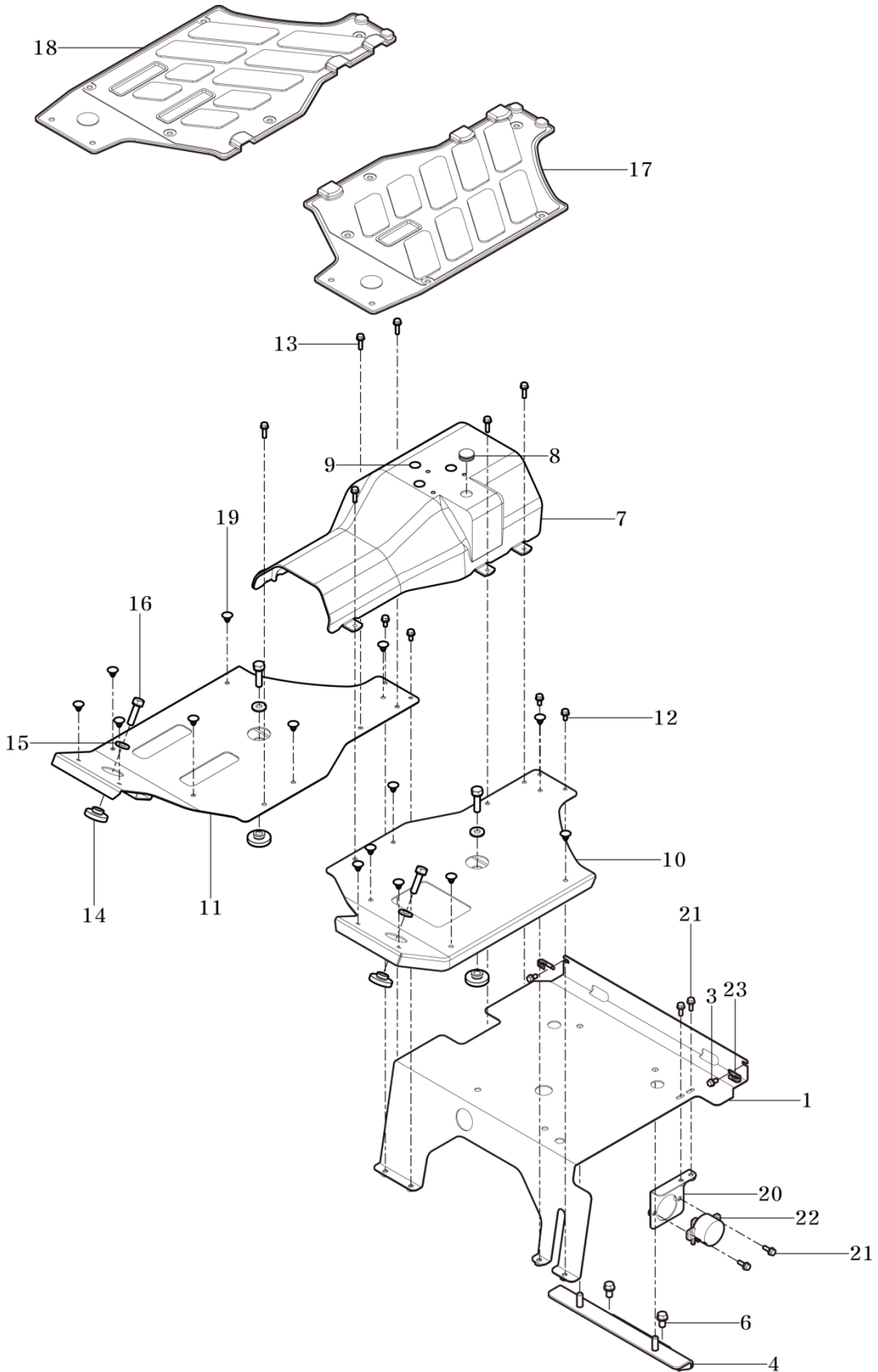
P1

YEAR

2017



RK24H



NOTE

FIG 703

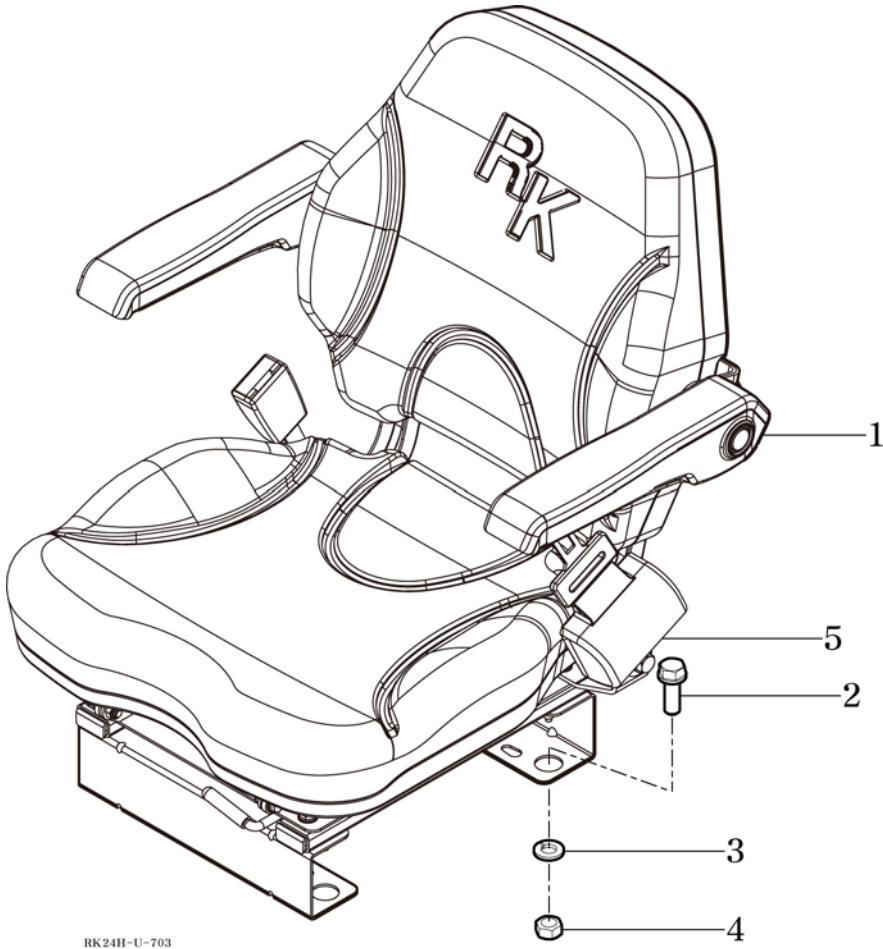
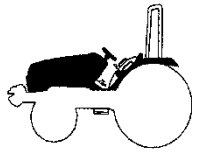
RK24H

SEAT

P1

YEAR

2017



NOTE

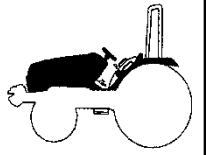
FIG 704

ROPS

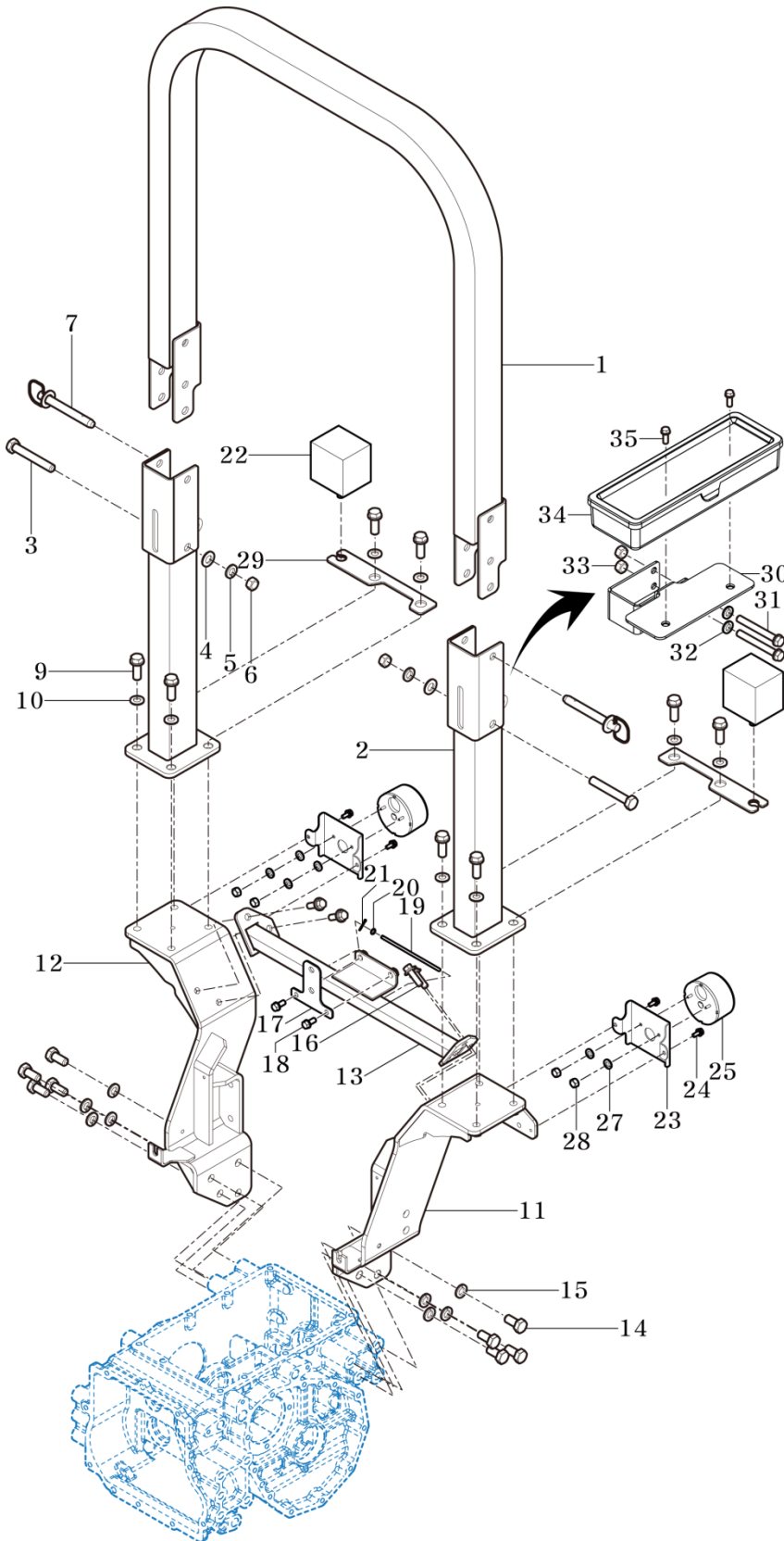
P1

YEAR

2017



RK24H



NOTE

FIG 705

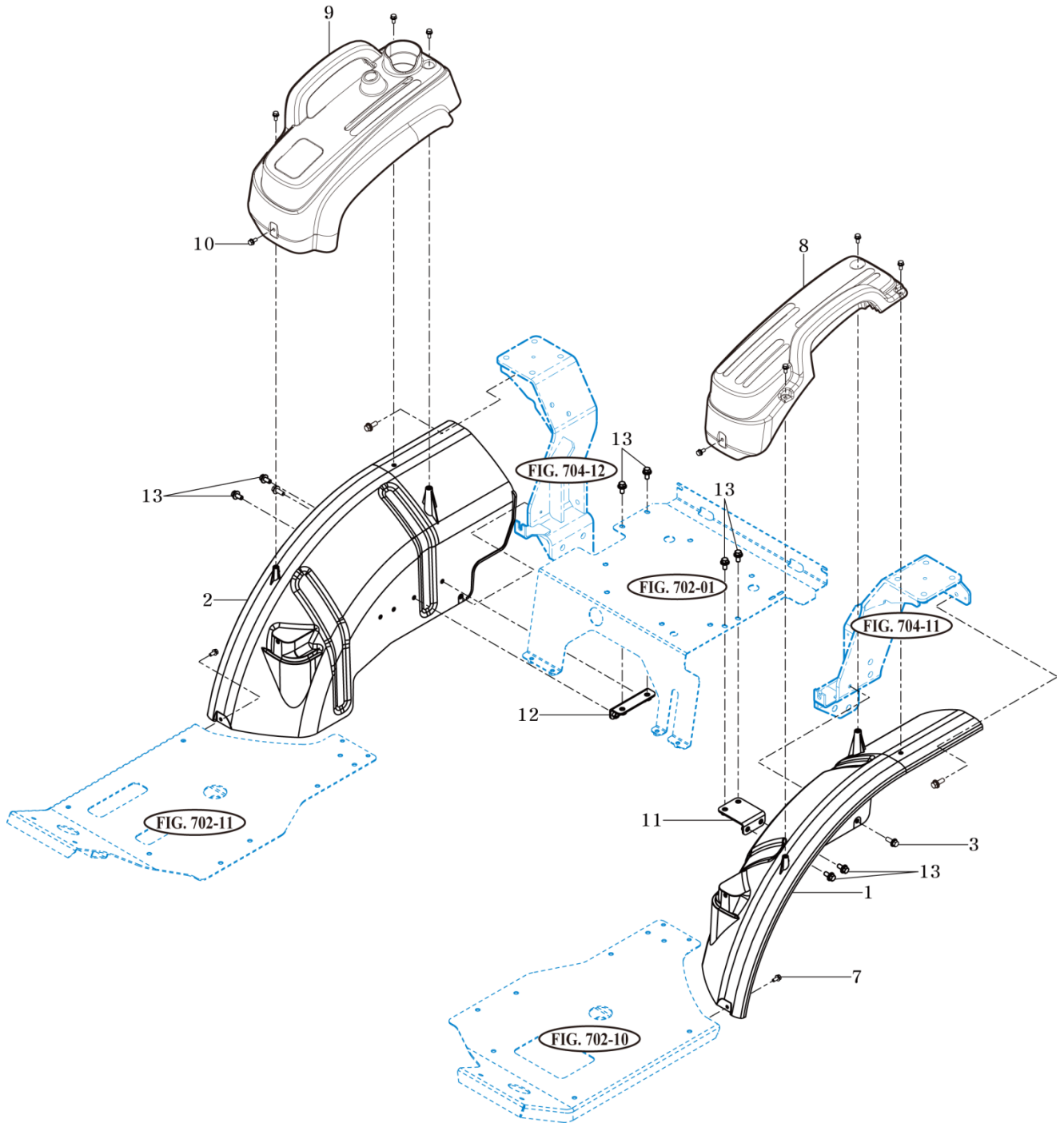
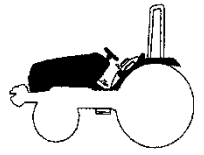
LEVER COVER & FENDER

RK24H

P1

YEAR

2017



NOTE

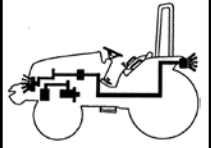
FIG 801

BATTERY MOUNTING

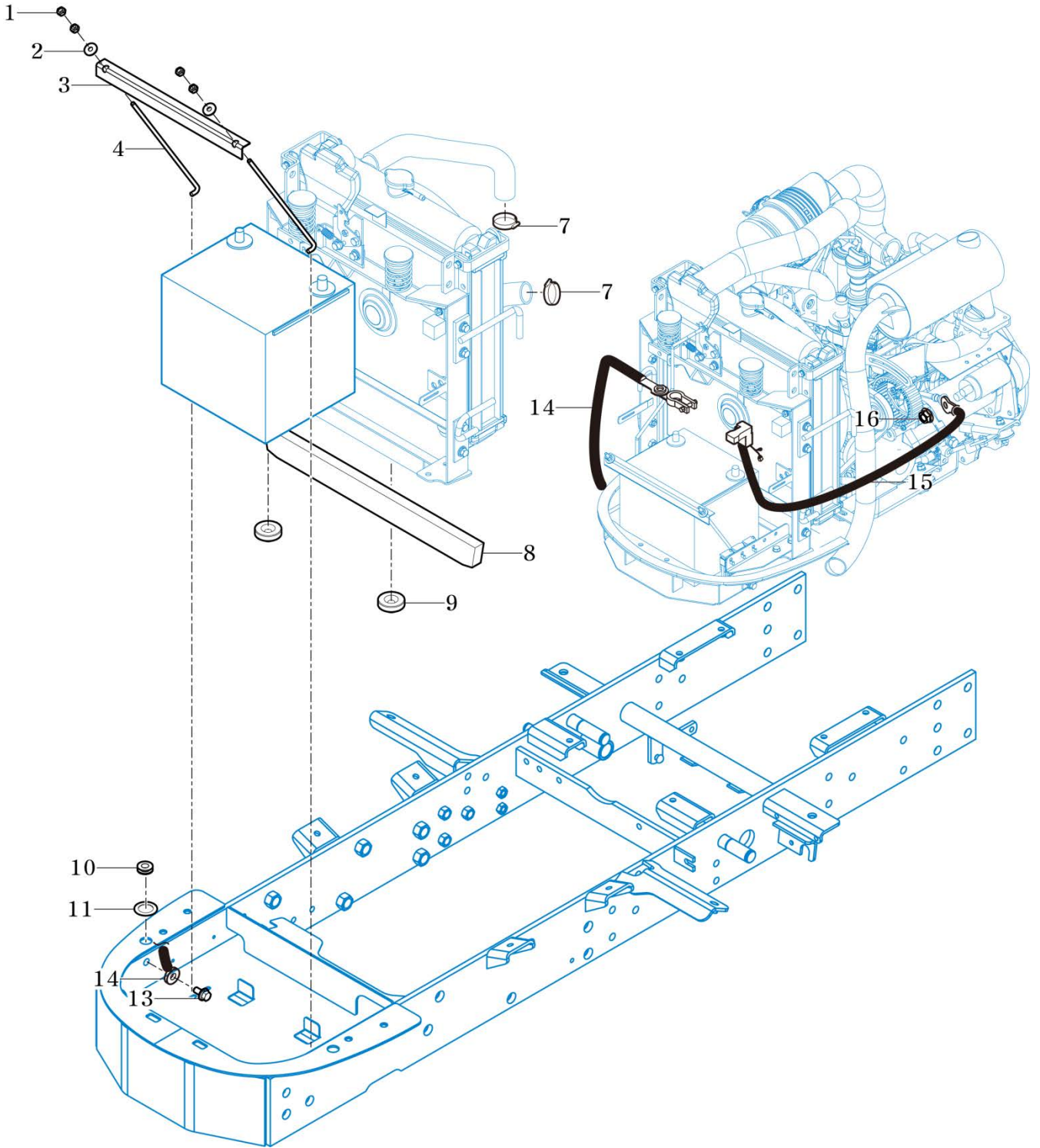
P1

YEAR

2017



RK24H



NOTE

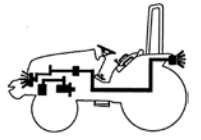
FIG 802

INSTRUMENT PANEL

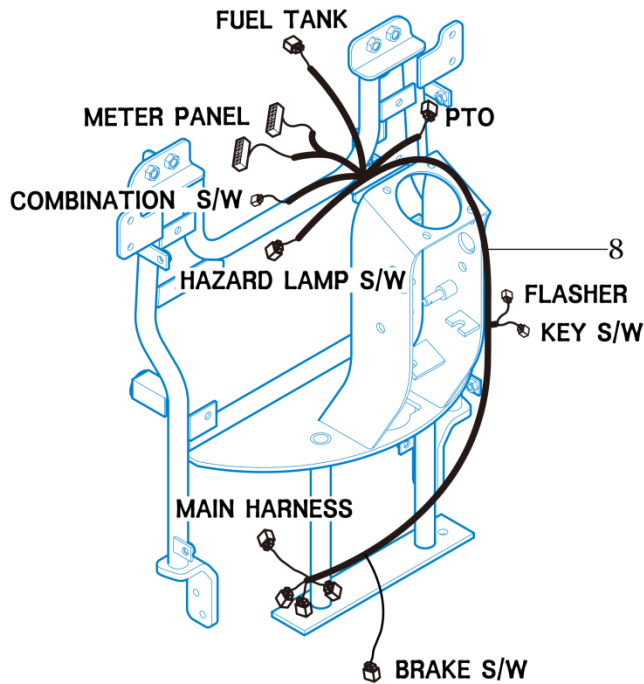
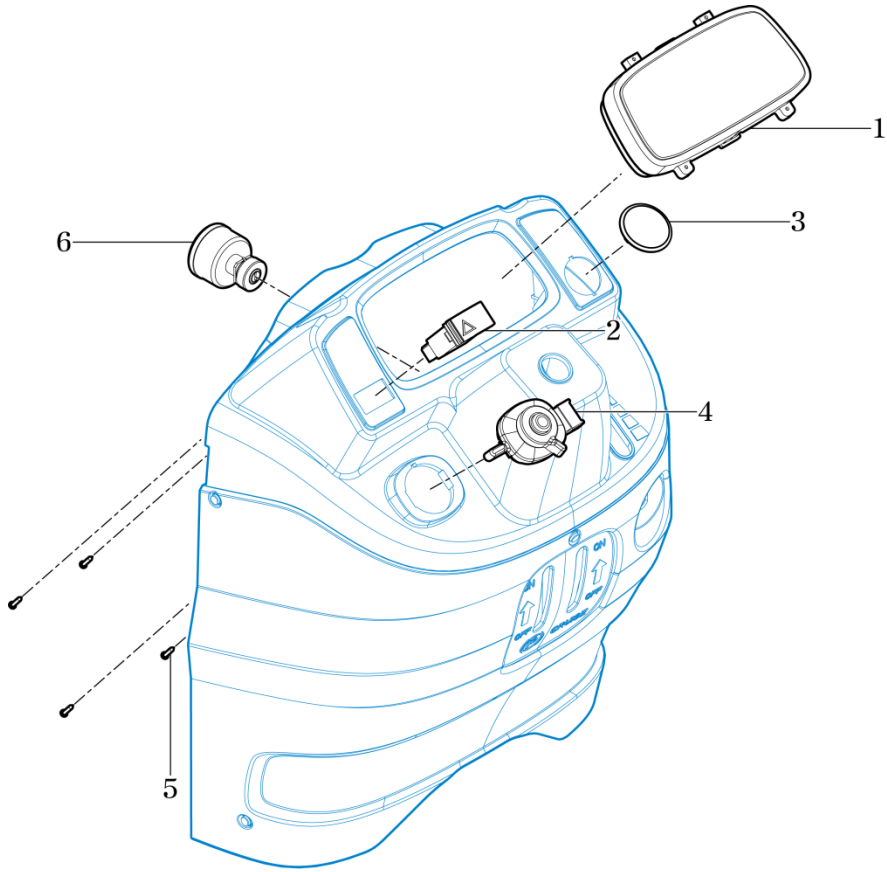
P1

YEAR

2017



RK24H



NOTE

FIG 803

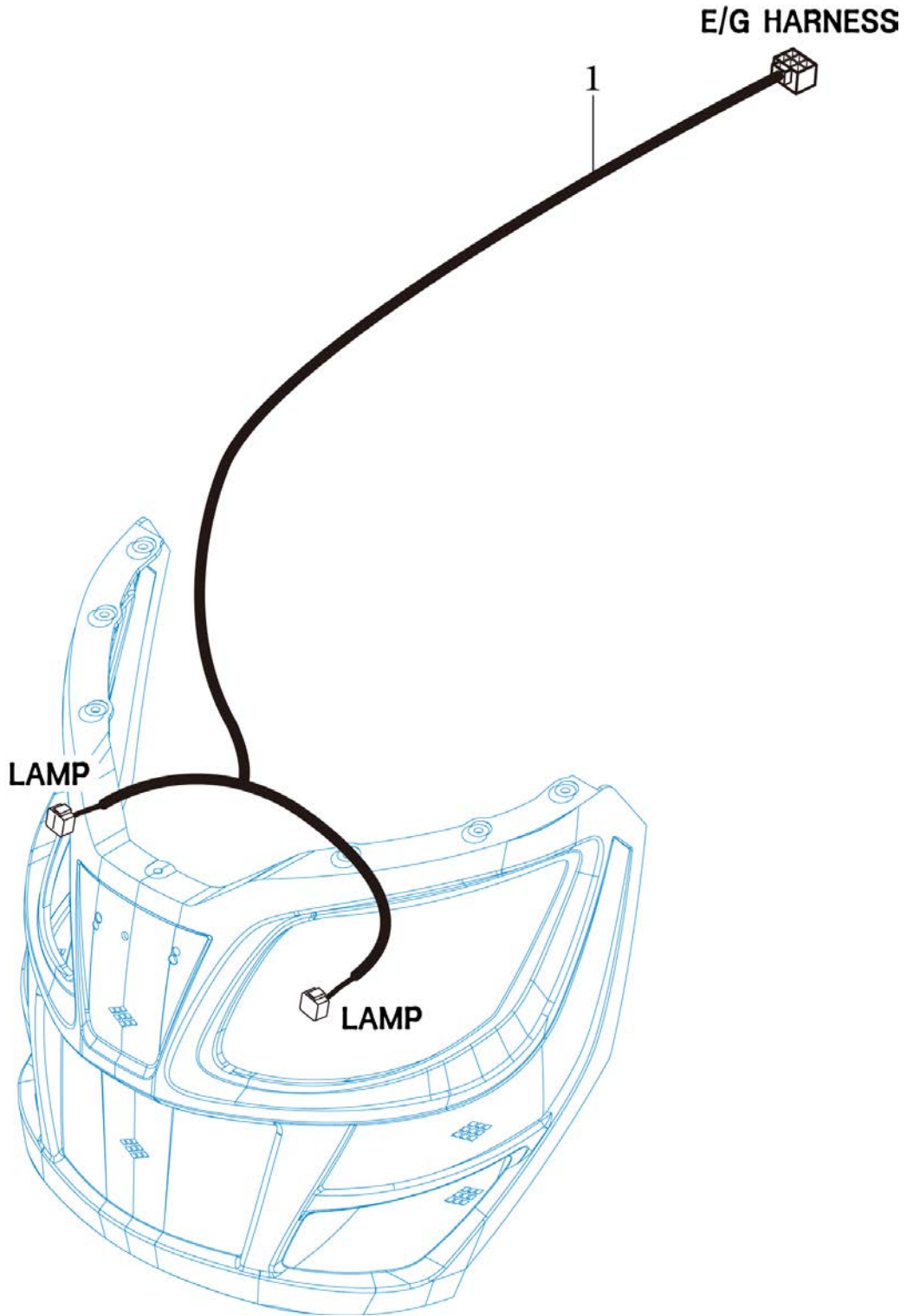
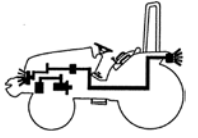
RK24H

HARNESS

P1

YEAR

2017



NOTE

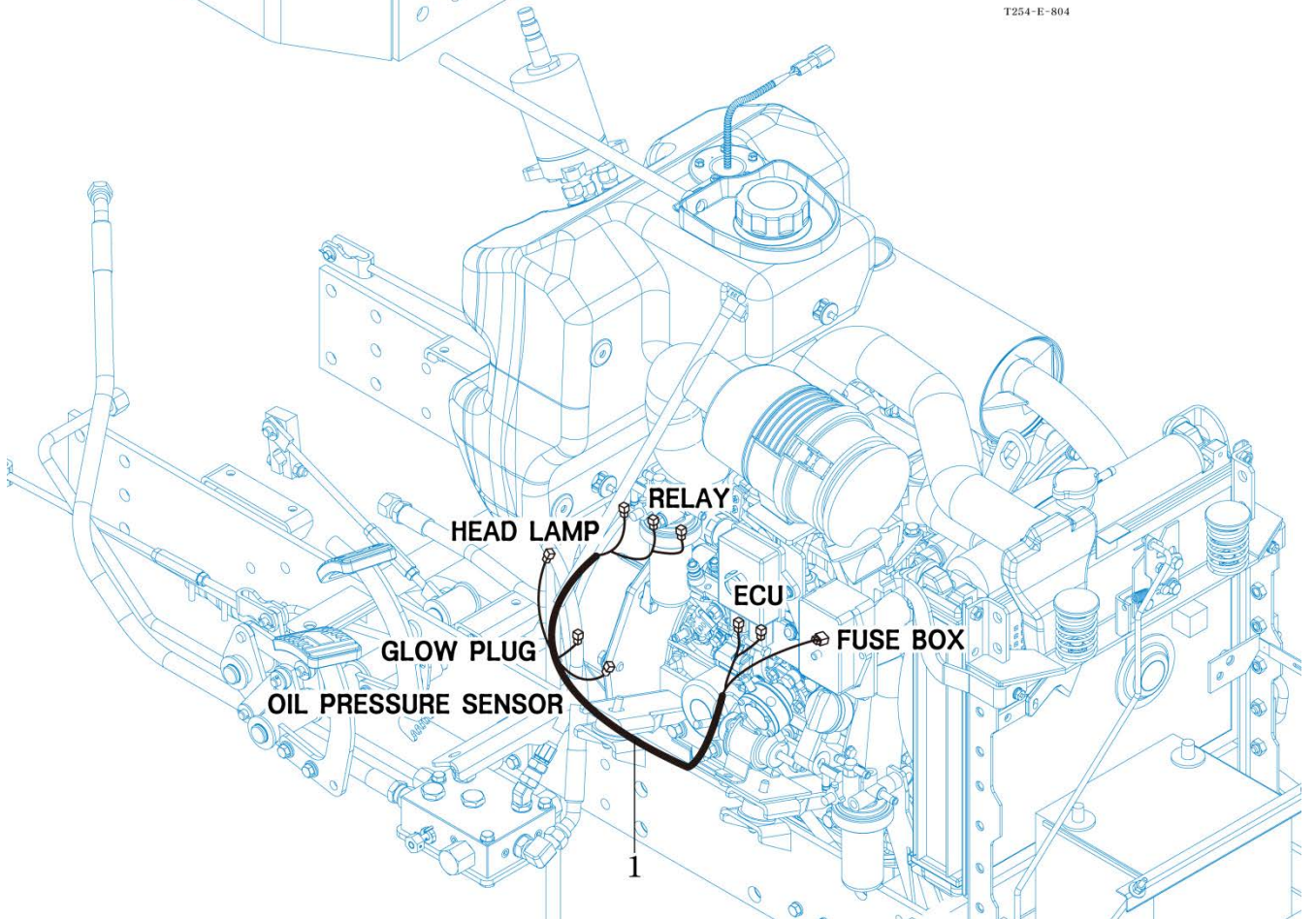
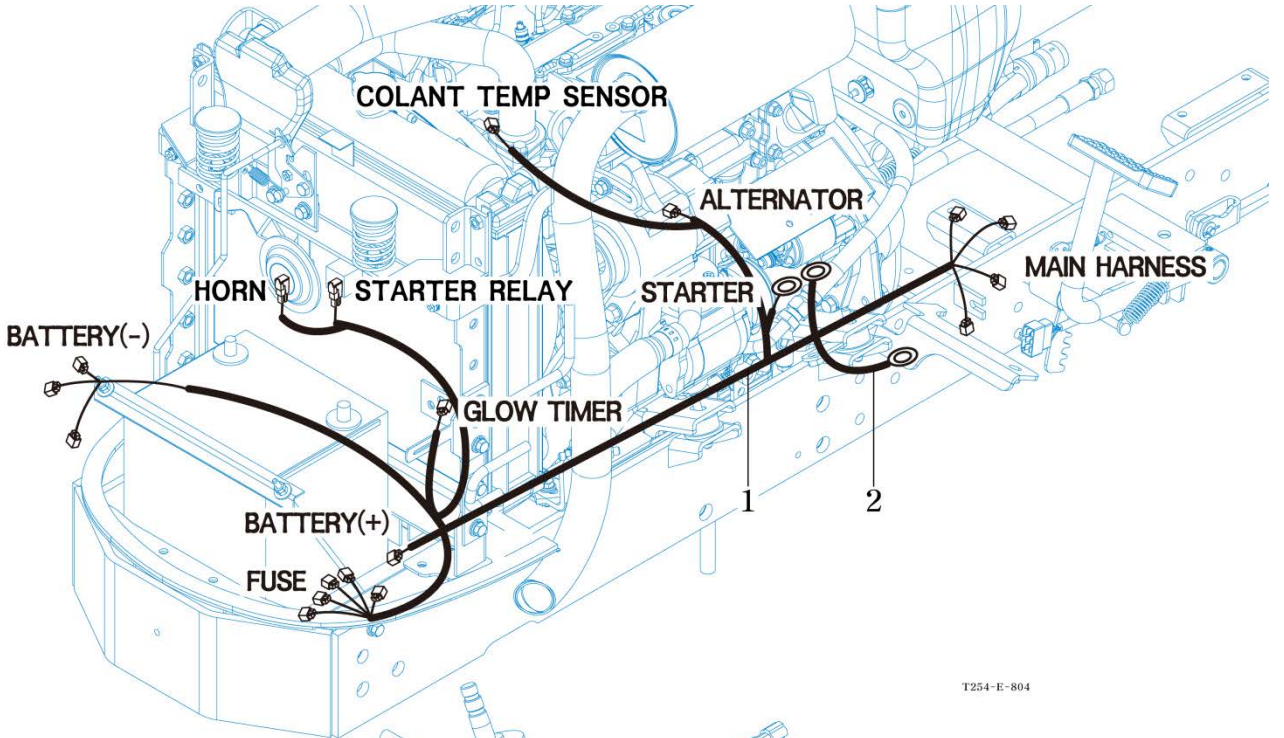
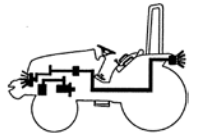
FIG 804

HARNESS

P1

YEAR

2017



NOTE

FIG 805

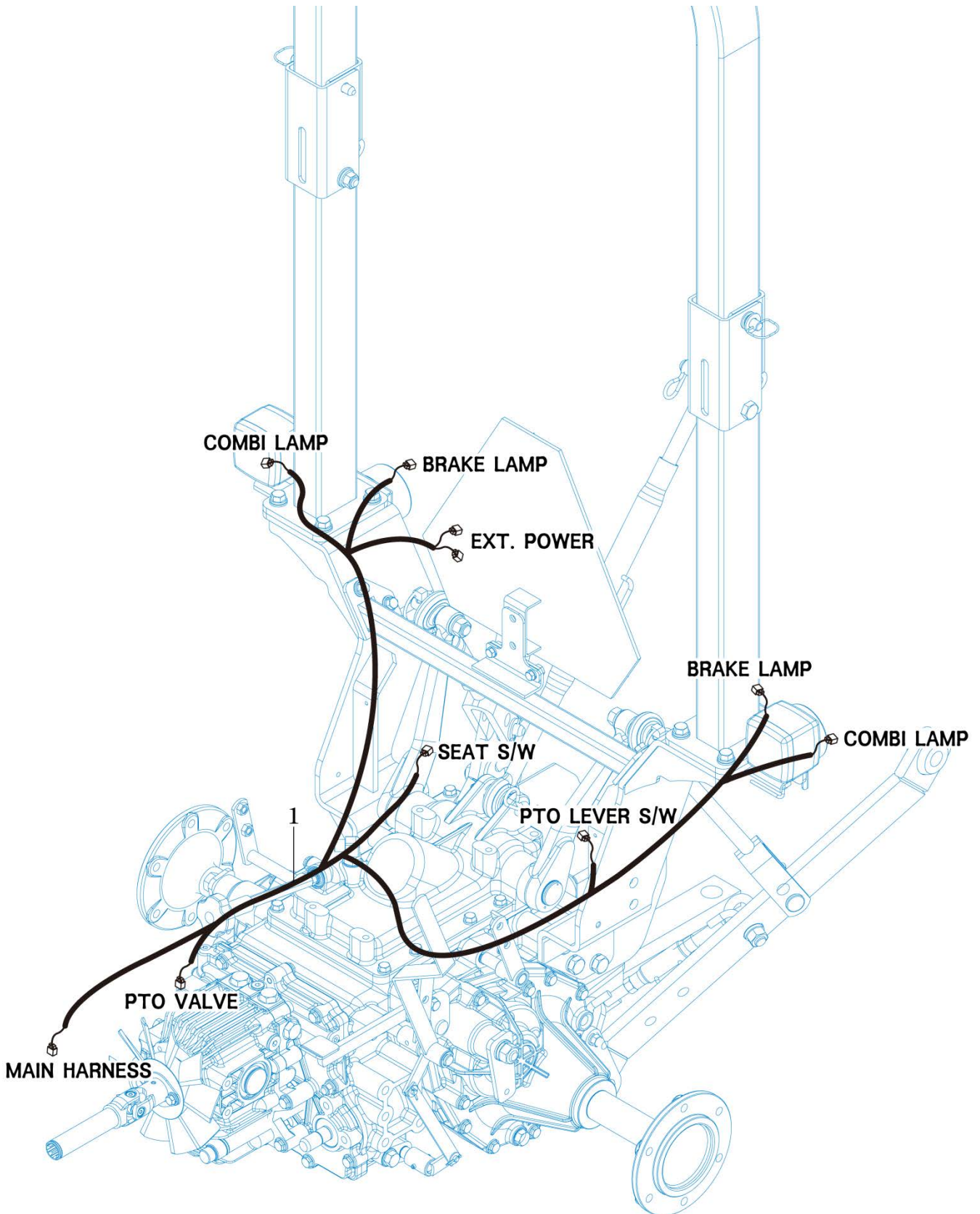
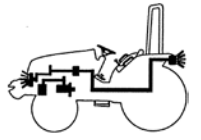
RK24H

HARNESS

P1

YEAR

2017



NOTE

FIG 901

RK24H

TOOL & ACCESSORY

P1

YEAR

2017



1



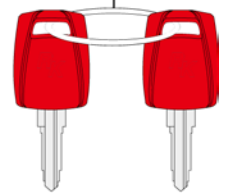
2



3



4



RK24H-U-901

NOTE

FIG 902

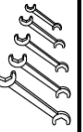
RK24H

LABEL

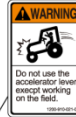
P1

YEAR

2017



8



9



6

HOT

19



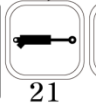
11



14



5



21

20



26



24



25



18

RK24

15



17

RK24

15



23

Hydrostatic

16



12



7



13



10



1

2



4



3

NOTE

FIG 903

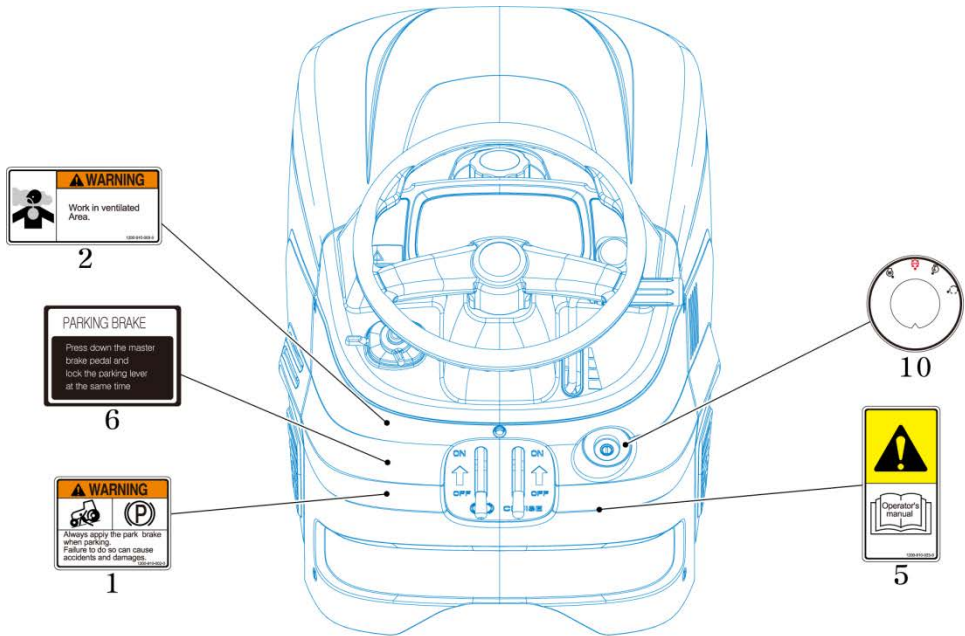
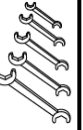
RK24H

LABEL

P1

YEAR

2017



WARNING
 Work in ventilated Area.

2

PARKING BRAKE
 Press down the master brake pedal and lock the parking lever at the same time

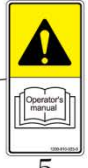
6

WARNING
 Always apply the park brake when parking. Failure to do so can cause accidents and damages.

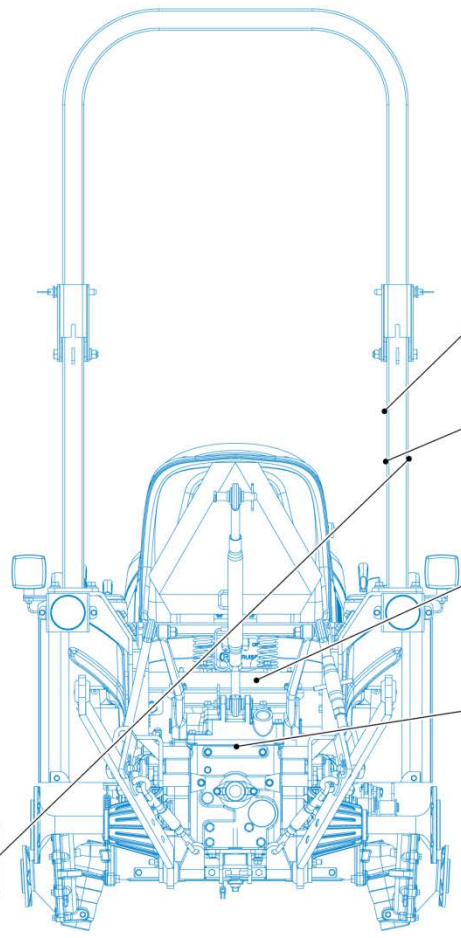
1



10



5



WARNING
 Death or injury may result if this tractor over turns with the ROPS in the folded down position. Operate this tractor with the ROPS folded down only when necessary. Do not wear seat belt if operated with ROPS folded down.

9

DANGER
 This Tractor may tip over unexpectedly and quicker than an operator is able to jump free.
 1. Never operate a tractor without a proper Roll over Protection Structure (ROPS).
 2. Always wear your seat belt when operating this tractor equipped with roll over protection.
 3. Never put from above or from the rear side.
 4. Do not operate the tractor on a steep slope or near drop offs.
 5. Avoid sharp high speed turns. Serious injury or death may result from tractor upsets.

8

WARNING
 Attach implements and trailers to this tractor only using the prescribed draw bar or hitch.

4

DANGER
 Fastening driveline components can cause death. K&EFP AVOID! Keep all drive line, tractor and equipment shields in place during operation.

3

This ROPS has been tested according with ISO 8988-1 Code 1 (Equivalent to AS 3525.1) for use with ROPS USA model 61 with a maximum CGM of 1000kg.
 Manufacture by HAN-SUNG, KOREA

7

NOTE

FIG 905

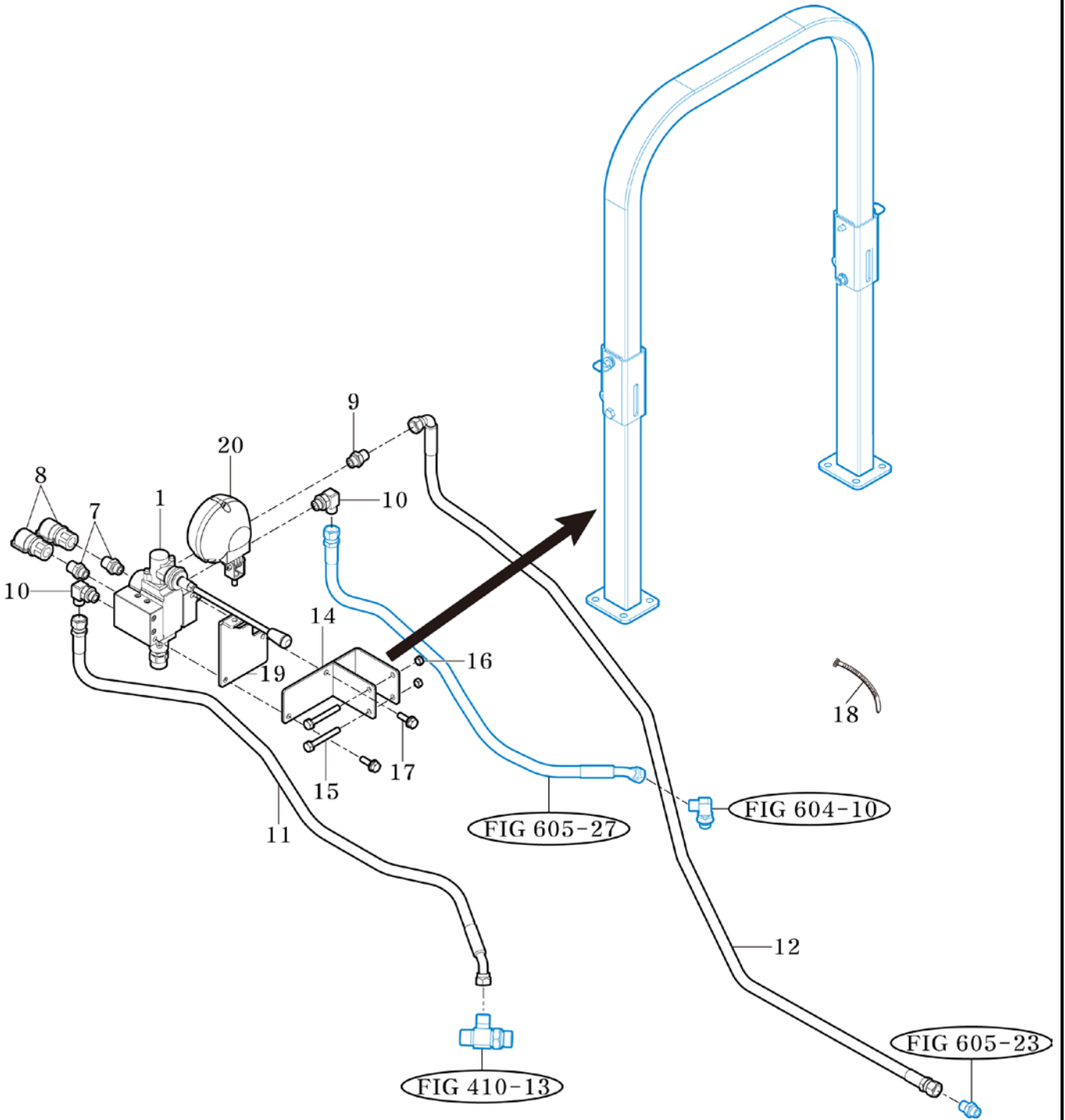
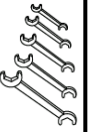
RK24H

AUXILIARY VALVE KIT

P1

YEAR

2017



NOTE

